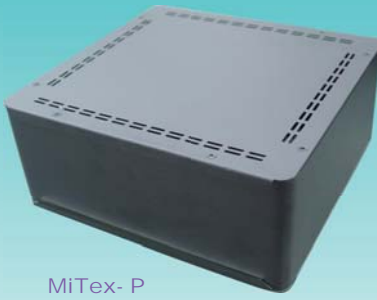


Embedded System

MiTex Series

MiTex-P Chassis without top-cover



MiTex- P



MiTex-E/N



Application :
Embedded IA, VOD, Video server, Security, Home MIDI, ATM, Panel PC, POS and Kiosk application

Optional Accessory :
 . Wall mount kit

Technical Data :

• Material	SECC
• Color	Black
• Weight	2.5 Kgs (incl. M/B & HDD)
• Storage Space	2.5" HDD
• Expansion Slot	2 x PCI
• PCI card Length	185 mm (MiTex-N/E)
• PCI card Length	175 mm (MiTex-P)
• Case Dimension	86.5 H x 266 W x 216.3 D mm (MiTex-N/E)
• Case Dimension	86.5 H x 208 W x 207.3 D mm (MiTex-P)
• Power	ATX open frame power (55W) (MiTex-N)
• Power	DC-IN 12V (PW015 power board) (MiTex-P)
• Power	on board DC 48V (NI525A)
• Power	on board DC-IN 12V (MiTex-E)

M/B information: (Please refer to M/B specification)



Chassis	CPU Type	M/B Model	VGA	COM	LAN	USB	DVI	Audio	KB/MS	Others	Operation Temp.	
											CF Card	HDD
MiTex-N/E	Intel Atom D525 1.8GHz	NI525A	1	1	3	4	-	YES	-	4 ports 802.3af PoE LAN	55°	50°
	Intel Atom N270 1.6GHz	FI270A	1	2	2	4	-	YES	YES	-	55°	50°
MiTex-P	Intel Atom N270 1.6GHz	FI270A	1	2	2	4	-	YES	YES	-	55°	50°

More Functions

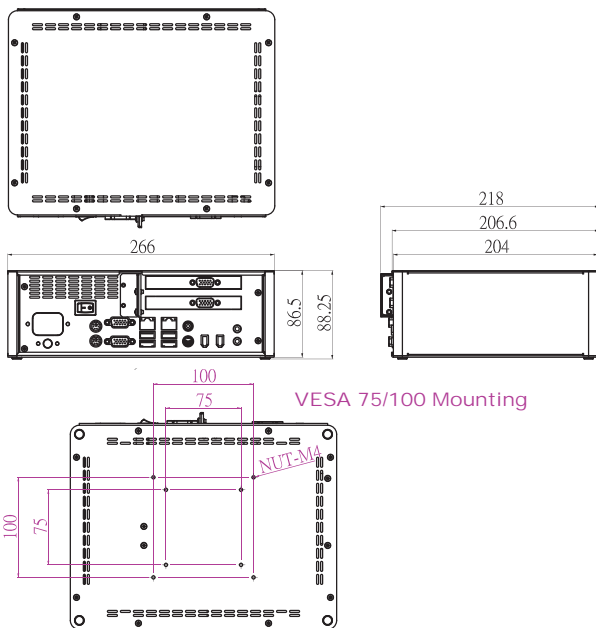
LCM Display	1 ~ 4 Video-IN	3G	Optional LAN	Wi-Fi	4 x COM	GPS	DC +6V to +36V
-------------	----------------	----	--------------	-------	---------	-----	----------------

The above available functions outline the possibility with system, for more information please contact us.

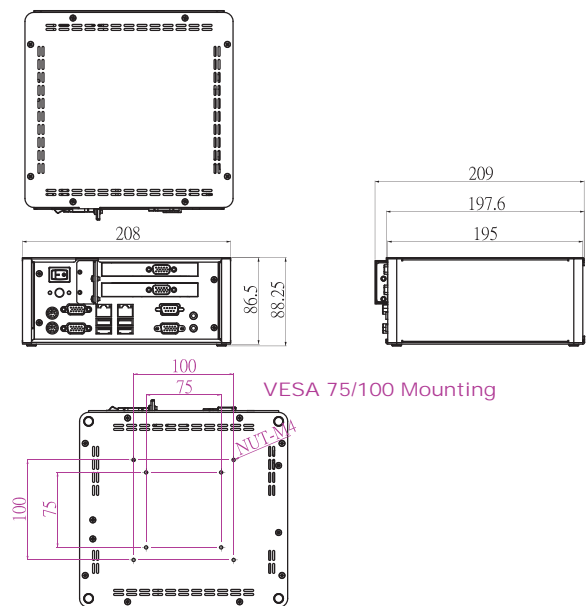


Back Panel

Dimension : MiTex-N/E



Dimension : MiTex-P



Car PC
 Networking
 POS / Automation
 DVR
 Digital Signage
 Embedded System
 Panel PC