



TERA 2I612CW

Compact Fanless Embedded Computer with 6th / 7th Gen Intel® Skylake-U / Kaby Lake-U i7 / i5 / i3 processor

■ Features:

- 6th / 7th Gen Intel® Skylake-U / Kaby Lake-U Core i7 / i5 / i3 processor
- 1 x DDR4 SODIMM socket, Max. 16GB
- Independent display: 2 x HDMI (OEM to DP)
- 2 x Intel GbE LAN, 4 x USB 3.0, 2 x COM
- 2 x Mini PCIe

■ Specifications :

Motherboard	2I612CW	
CPU	6th / 7th Gen Intel® Skylake-U / Kaby Lake-U CPU	
Chipset	Intel® Skylake-U / Kaby Lake-U SoC	
Memory	1 x DDR4 SODIMM socket, Max. 16GB	
Storage	mSATA, HDD / SSD*	
Expansion slots	1 x Full-size Mini PCIe (PCIe / mSATA / USB) 1 x Full-size Mini PCIe (PCIe / USB 3.0 / USB 2.0)	
I/O ports	Network	2 x Intel GbE
	USB	4 x USB 3.0
	Serial ports	2 x RS232 / 422 / 485
	Display	2 x HDMI
Optional Modules & Accessory	GPS, Bluetooth, PoE, WiFi, 4G LTE, Isolated COM, battery UPS, DI / DO, Video Input *SATA Kit, Wall Mount Kit	
OS Support	Windows 10, Linux	

■ Mechanical

Dimensions	145W x 106.2 D x 56.5H mm
Weight	0.9 kg
Mounting	Wall Mount*

■ Power

DC input	+9V~36V
AC input	External adapter 100/240V, AC-DC 60W

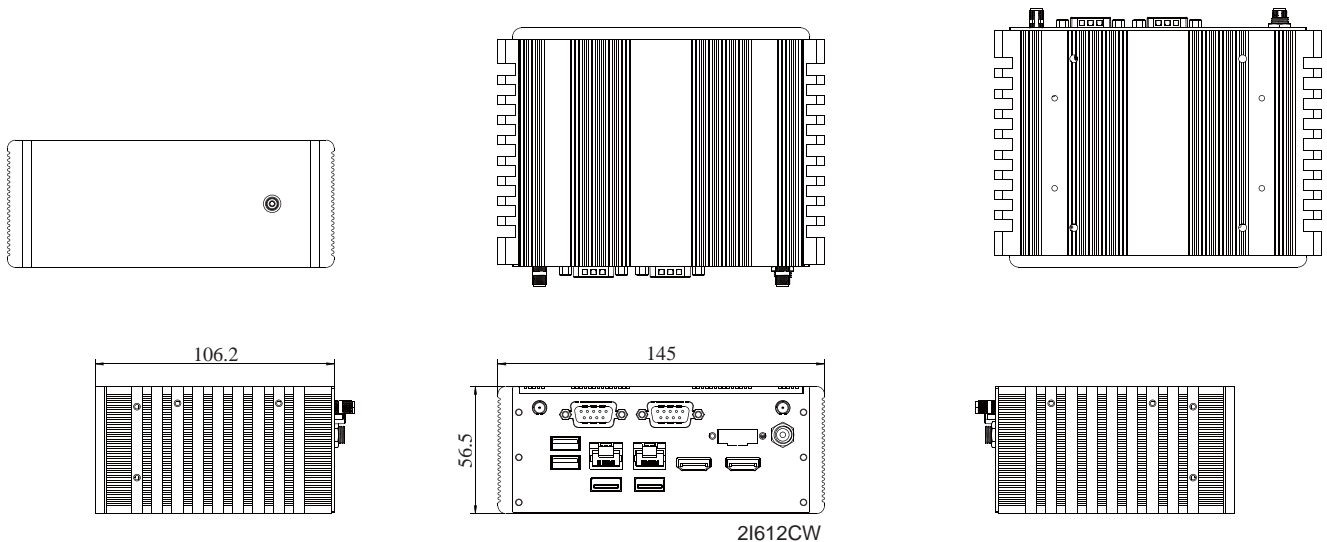
■ Environment

Operating Temp. (100 % CPU usage)	-20°C to +60°C (Celeron 3955U) -20°C to +50°C (Core i5 6200U) -20°C to +50°C (Core i7 6600U)
Storage Temp.	-20°C to +70°C
Relative Humidity	95% @ 40°C, non-condensing

■ Certification

CE / FCC class A

■ Dimension



Specification are subject to change without prior notice. ODM / OEM is available.