

# MIRO 2-eIO

## 2I390CW+L2L001

Compact Fanless Embedded Computer  
with Intel® Apollo Lake Processor



### Features:

- Intel® Apollo Lake CPU:  
Atom™ E3950, Pentium® N4200, Celeron® N3350
- On Board DDR3L 2 / 4GB
- Independent display: HDMI, DVI
- 7 x Intel GbE LAN, 2 x COM, 2 x USB 2.0
- 2 x Mini PCIe

### Specifications :

|                                 |   |                                       |
|---------------------------------|---|---------------------------------------|
| Motherboard                     | 2I390CW+L2L001  |                                       |
| CPU                             | Intel® Apollo Lake N4200 / N3350 / E3950 CPU  |                                       |
| Chipset                         | Intel Apollo Lake SoC   |                                       |
| Memory                          | DDR3L 2 / 4GB   |                                       |
| Storage                         | mSATA   |                                       |
| Expansion slots                 | 1 x Full-size Mini Card (PCIe / mSATA / USB)<br>1 x Half-size Mini Card (mSATA / USB)                                   |                                       |
| I/O ports                       | Network   | 7 x Intel GbE<br>(5 x GbE via L2L001) |
|                                 | USB   | 2 x USB 2.0                           |
|                                 | Serial ports  | 2 x COM                               |
|                                 | Display   | 1 x HDMI, 1 x DVI                     |
| Optional Modules<br>& Accessory | GPS, Bluetooth, WiFi, 4G LTE, DI/O, Isolated COM,<br>*VESA Mount Kit, *DIN Rail Mounting Kit<br>*External Power Adapter |                                       |
| OS Support                      | Windows® 10 IOT (64bit),<br>Ubuntu 16.04.1 above, Fedora 25 above   |                                       |

### Mechanical

|            |                              |
|------------|------------------------------|
| Dimensions | 140W x 92D x 72H mm          |
| Weight     | 0.95 kg                      |
| Mounting   | DIN Rail Mount*, VESA Mount* |

### Power

|          |  |
|----------|--|
| DC input | +9V~36V                                      |
| AC input | AC-DC External adapter 100 / 240V (optional) |

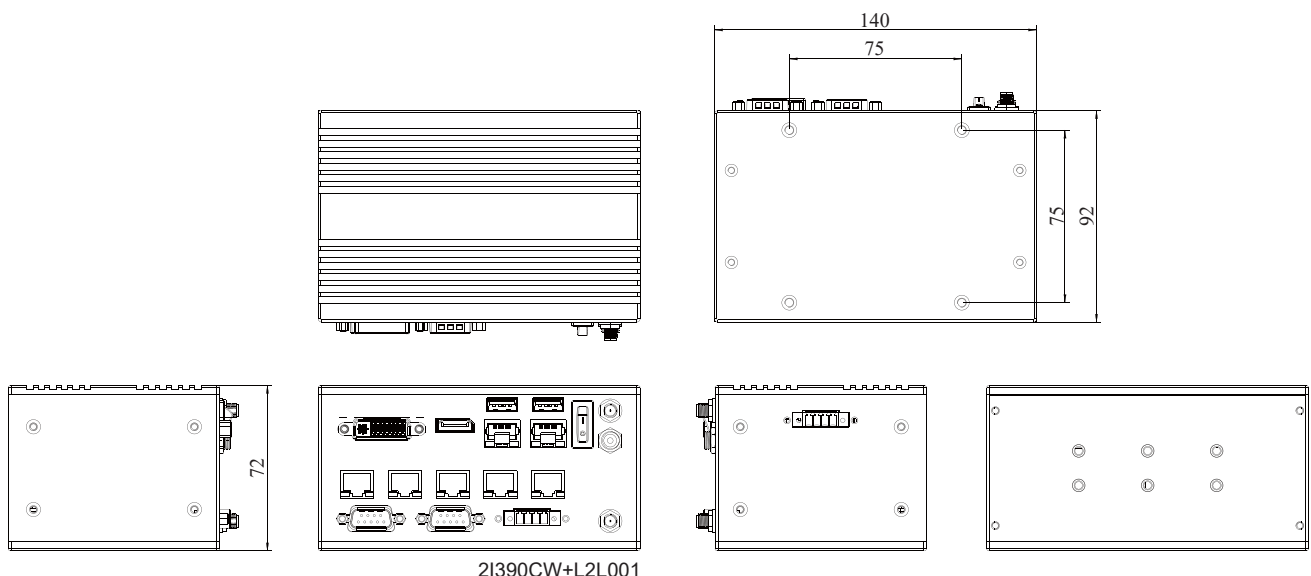
### Environment

|                                      |                            |
|--------------------------------------|----------------------------|
| Operating Temp.<br>(100 % CPU usage) | -20°C to +60°C with mSATA  |
| Storage Temp.                        | -20°C to +70°C             |
| Relative Humidity                    | 95% @ 40°C, non-condensing |

### Certification

|                  |  |
|------------------|--|
| CE / FCC class A |  |
|------------------|--|

### Dimension



Specification are subject to change without prior notice. ODM / OEM is available.