



TWISTER-CI170A

Embedded Computer with 6th / 7th Gen Intel® Skylake-S / Kaby Lake-S i7 / i5 / i3 processor

Features:

- 6th / 7th Gen Intel® Skylake-S / Kaby Lake-S i7 / i5 / i3 CPU / Q170 Chipset
- 2 x DDR4 SODIMM socket, Max. 32GB
- Multiple Independent display: DP, HDMI & DVI
- 2 x Intel GbE LAN, 4 x USB 3.0, 6 x COM
- 1 x PCIe x 16, 2 x Mini PCIe, 1 x M.2, 2 x SIM

Specifications :

Motherboard	CI170A	
CPU	6th / 7th Gen Intel® Skylake-S / Kaby Lake-S i7 / i5 / i3 CPU	
Chipset	Intel® Q170	
Memory	2 x DDR4 SODIMM, Max. 32GB	
Storage	mSATA, M.2, HDD / SSD*	
Expansion slots	1 x PCIe x 16	
	1 x Full-size Mini PCIe (PCIe / mSATA / USB)	
	1 x Full-size Mini PCIe (PCIe / USB)	
	2 x SIM	
I/O ports	Network	2 x Intel GbE
	USB	4 x USB 3.0
	Serial ports	6 x RS232 / 422 / 485
	Display	1 x DP, 1 x HDMI, 1 x DVI
Optional Modules & Accessory	GPS, Bluetooth, PoE, WiFi, 4G LTE, Isolated COM, battery UPS, DI/DO, Video Input *SATA Kit, *Wall Mount Kit, *VESA Mount Kit	
OS Support	7th Generation Intel® Core™ Processor family: Kaby Lake Windows® 10 IOT (64bit), Ubuntu 16.04.3 above, Fedora 26 above, CentOS 7.4 above 6th Generation Intel® Core™ Processor family: Skylake Windows® 10 IOT (64bit) Windows® 8.1 (64bit) Windows® Embedded 8 Standard (64bit) Windows® 7 (64bit) Windows® Embedded Sta 7 (64bit) Ubuntu 16.04.3 above, Fedora 26 above, CentOS 7.4 above	

Mechanical

Dimensions	300W x 200D x 85H mm
Weight	2.9 kg
Mounting	Wall Mount*, VESA Mount*
Power	
DC input	+12V
AC input	External adapter 100 / 240V AC-DC 84W

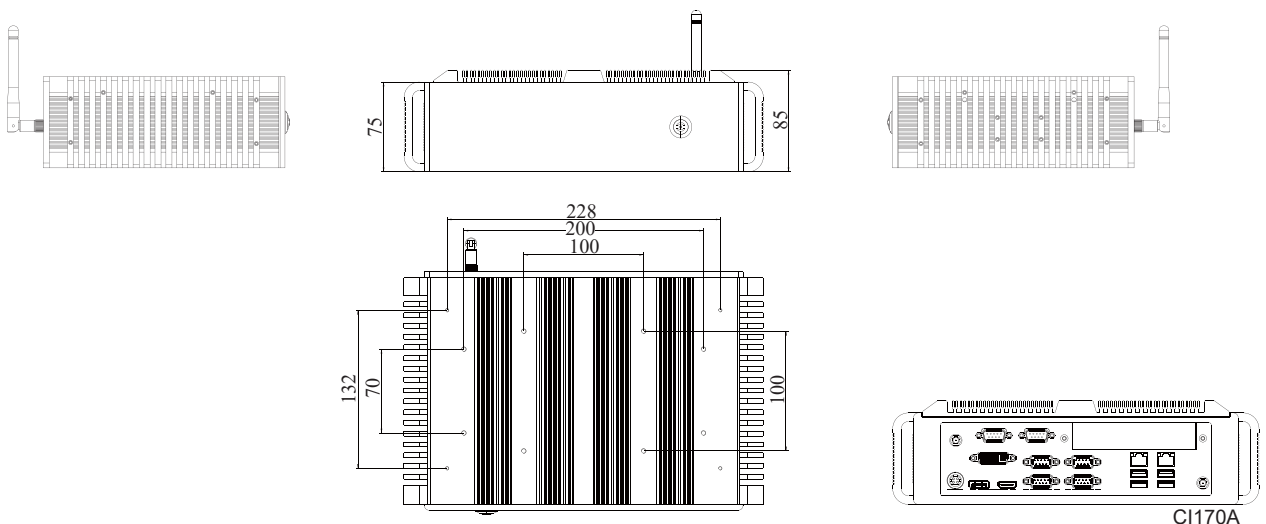
Environment

Storage Temp.	-20°C to +70°C
Relative Humidity	95% @ 40°C, non-condensing

Certification

	CE / FCC class A
--	------------------

Dimension



Specification are subject to change without prior notice. ODM / OEM is available.