



# Slim 17" PPC

17" Fanless Panel PC with  
Intel® Bay Trail Processor

## Features:

- 17" LCD with resistive touch screen
- Intel® Bay Trail CPU: Atom™ E3845 / E3825, Celeron® J1900
- On Board DDR3L 2 / 4GB (SODIMM, Max. 8GB-OEM)
- Independent display: VGA, HDMI
- 2 x GbE, 5 x COM, 4 x USB, HD Audio
- 2 x Mini PCIe, 1 x SIM
- Wide Range 9~36V DC input

## Specifications :

|                             |   |                          |
|-----------------------------|---|--------------------------|
| Motherboard                 | 3I380CW   |                          |
| CPU                         | Intel® Bay Trail E3845 1.91 Ghz (Quad Core)<br>(Optional J1900 : E3825)   |                          |
| Chipset                     | Intel® Bay Trail SoC  |                          |
| Memory                      | On Board DDR3L 2GB / 4GB ;<br>1 x DDR3L SODIMM socket, Max. 8GB (OEM)   |                          |
| Storage                     | mSATA, HDD / SSD*   |                          |
| Expansion slots             | 1 x Full-size Mini PCIe (PCIe / mSATA / USB)<br>1 x Full-size Mini PCIe (PCIe / USB)<br>1 x SIM   |                          |
| I/O ports                   | Network   | 2 x Intel GbE            |
|                             | USB   | 1 x USB 3.0, 3 x USB 2.0 |
|                             | Serial ports  | 5 x COM                  |
|                             | Display   | VGA & HDMI               |
|                             | Audio   | Line-out / Mic-in        |
| Optional Modules & Function | GPS, Bluetooth, PoE, WiFi, 4G LTE, Isolated COM, battery UPS<br>*SATA Kit, *VESA Mount Kit<br>*Panel Mount kit, *External power adapter   |                          |
| Certification               | CE / FCC  |                          |
| OS Support                  | Windows® 10 IOT (64bit), Windows® 8.1 (64bit),<br>Windows® Embedded 8 Standard (64bit),<br>Windows® 7 (32 / 64bit),<br>Windows® Embedded Sta 7 (32 / 64bit),<br>Ubuntu 14.10 above, Fedora 25 above,<br>Debian 8 above, CentOS 7.3 above, Mint 18.1 above |                          |

## Mechanical

|            |                                       |
|------------|---------------------------------------|
| Dimensions | 413W x 343D x 64.5H mm                |
| Weight     | 4.89 kg                               |
| Mounting   | VESA / Panel mount & Stand (optional) |

## Power

|          |  |
|----------|--|
| DC input | +9~36V ; Car ignition power control (optional)   |
| AC input | External adapter 100 / 240V,<br>AC-DC (optional) |

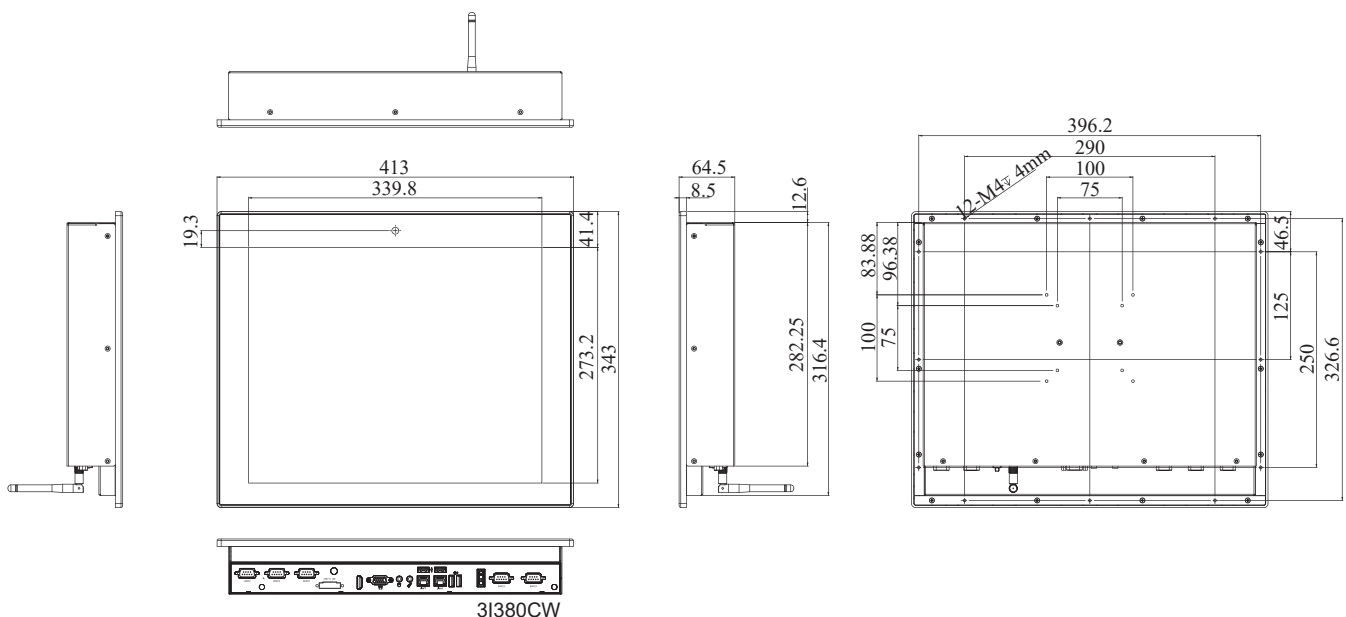
## LCD Display & Touch

|                                |                            |
|--------------------------------|----------------------------|
| Display Type                   | 17 inch 4:3                |
| Max. Resolution                | 1280 x 1024                |
| Viewing Angle                  | 80(U), 80(D), 85(R), 85(L) |
| Luminance (cd/m <sup>2</sup> ) | 350                        |
| Contrast Ratio                 | 1000:1                     |
| Touch Type                     | Resistive Touch Screen     |

## Environment

|                   |                                 |
|-------------------|---------------------------------|
| Operating Temp.   | -20°C to +60°C with mSATA / SSD |
| (100 % CPU usage) | 0°C to +50°C with HDD           |
| Storage Temp.     | -20°C to +70°C                  |
| Relative Humidity | 95% @ 40°C, non-condensing      |
| IP Rating         | Front panel IP65 Compliant      |

## Dimension



Specification are subject to change without prior notice. ODM / OEM is available.