



# Slim 17" PPC

17" Fanless Panel PC with  
Intel® Bay Trail Processor

## Features:

- 17" LCD with resistive touch screen
- Intel® Bay Trail CPU: Atom™ E3845 / E3825, Celeron® J1900
- On Board DDR3L 2 / 4GB (SODIMM, Max. 8GB-OEM)
- Independent display: VGA, HDMI
- 2 x GbE, 5 x COM, 4 x USB
- 2 x Mini PCIe, 1 x SIM
- Wide Range 9~36V DC input

## Specifications :

Motherboard	3I380CW	
CPU	Intel® Bay Trail E3845 1.91 Ghz (Quad Core) (Optional J1900 ; E3825)	
Chipset	Intel® Bay Trail SoC	
Memory	On Board DDR3L 2GB / 4GB ; 1 x DDR3L SODIMM socket, Max. 8GB (OEM)	
Storage	mSATA, HDD / SSD*	
Expansion slots	1 x Full-size Mini PCIe (PCIe / mSATA / USB) 1 x Full-size Mini PCIe (PCIe / USB) 1 x SIM	
I/O ports	Network	2 x Intel GbE
	USB	1 x USB 3.0, 3 x USB 2.0
	Serial ports	5 x COM
	Display	VGA & HDMI
Optional Modules & Function	GPS, Bluetooth, PoE, WiFi, 4G LTE, Isolated COM, battery UPS *SATA Kit, *VESA Mount Kit *Panel Mount kit, *External power adapter	
Certification	CE / FCC	
OS Support	Windows® 10 IOT (64bit), Windows® 8.1 (64bit), Windows® Embedded 8 Standard (64bit), Windows® 7 (32 / 64bit), Windows® Embedded Standard 7 Runtime, Ubuntu 14.10 above, Fedora 25 above, Debian 8 above, CentOS 7.3 above, Mint 18.1 above	

## Mechanical

Dimensions	413W x 343D x 64.5H mm
Weight	4.89 kg
Mounting	VESA / Panel mount & Stand (optional)

## Power

DC input	+9~36V ; Car ignition power control (optional)
AC input	External adapter 100 / 240V, AC-DC (optional)

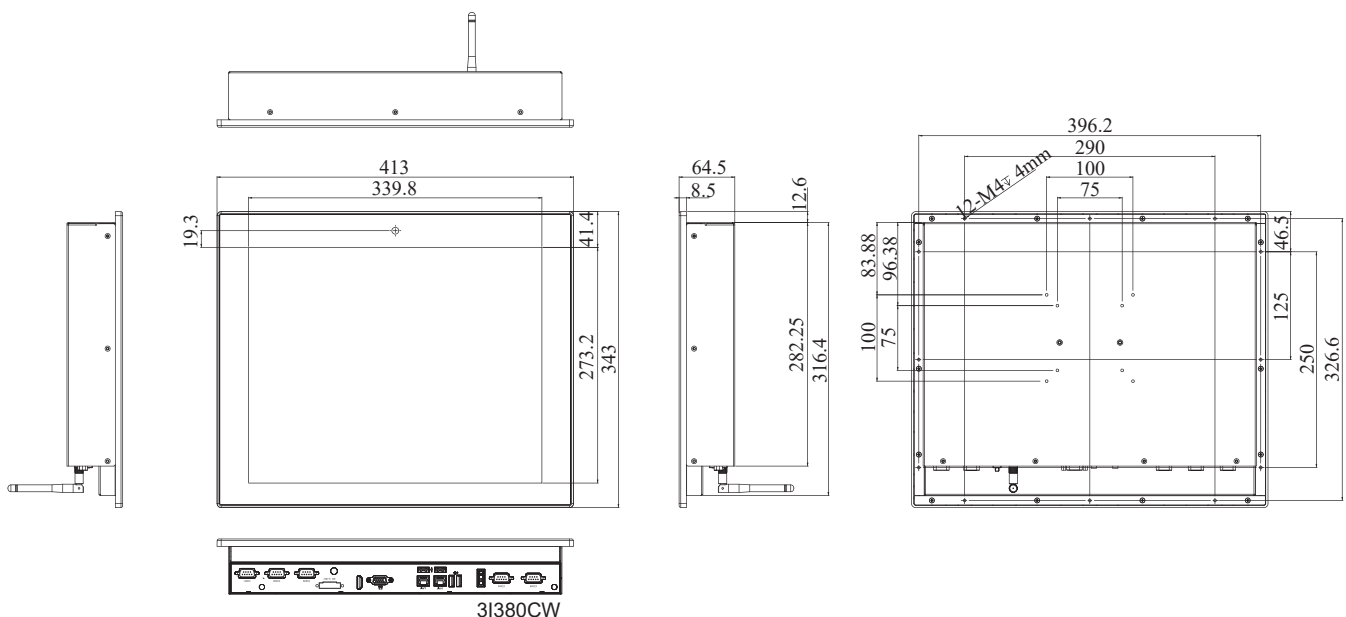
## LCD Display & Touch

Display Type	17 inch 4:3
Max. Resolution	1280 x 1024
Viewing Angle	80(U), 80(D), 85(R), 85(L)
Luminance (cd/m2)	350
Contrast Ratio	1000:1
Touch Type	Resistive Touch Screen

## Environment

Operating Temp.	-20°C to +60°C with mSATA / SSD
(100 % CPU usage)	0°C to +50°C with HDD
Storage Temp.	-20°C to +70°C
Relative Humidity	95% @ 40°C, non-condensing
IP Rating	Front panel IP65 Compliant

## Dimension



3I380CW

Specification are subject to change without prior notice. ODM / OEM is available.