



# SUPER 7" PPC

7" Fanless Panel PC with Intel® Atom™  
Bay Trail Processor

## Features:

- 7" LCD with resistive touch screen
- Intel® Atom™ Bay Trail J1900 / E3825 / E3845 SoC
- DDR3L SODIMM, Max 8GB
- 2 x GbE, 4 x COM, DVI, VGA, 4 x USB
- Wide Range 9~36V DC input
- Plastic (ABS) housing

## Specifications :

Motherboard	3I385CW
CPU	Intel® Atom™ Bay Trail E3845 1.91 GHz (Quad Core)
Chipset	Intel Bay Trail SoC
Memory	DDR3L SODIMM, Max 8GB
Storage	mSATA, HDD / SSD*
Expansion slots	1 x Full-size Mini PCIe (PCIe / USB / mSATA) 1 x Full-size Mini PCIe (PCIe / USB)
I/O ports	Network 2 x Intel GbE USB 4 x USB 3.0 Serial ports 4 x RS232 / 422 / 485 Display 1 x VGA, 1 x DVI
Optional Modules & Function	GPS, Bluetooth, PoE, WiFi, 4G LTE, Isolated COM, battery UPS *SATA Kit, *VESA Mount Kit, * External power adapter
OEM I/O	3 Layers back panel (add 2* COM + DIO)
Certification	CE / FCC, EN50155, E13
OS Support	Windows® 10 IOT (64bit), Windows® 8.1 (64bit), Windows® Embedded 8 Standard (64bit), Windows® 7 (32 / 64bit), Windows® Embedded Standard 7 Runtime, Ubuntu 14.10 above, Fedora 25 above, Debian 8 above, CentOS 7.3 above, Mint 18.1 above

## Mechanical

Dimensions 225.3W x 166.87D x 66.1H mm

Weight 1.2 kg

Mounting VESA mount & Stand (optional)

## Power

DC input +9~36V

AC input External adapter 100 / 240V, AC-DC (optional)

## LCD Display & Touch

Display Type 7 inch 16:9

Max. Resolution 1024 x 600

Viewing Angle 75(U) 75(D) 75(R) 75(L)

Luminance (cd/m<sup>2</sup>) 500

Contrast Ratio 700:1

Touch Type Resistive Touch Screen (Capacitive - Option)

## Environment

Operating Temp. -20°C to +60°C with mSATA / SSD

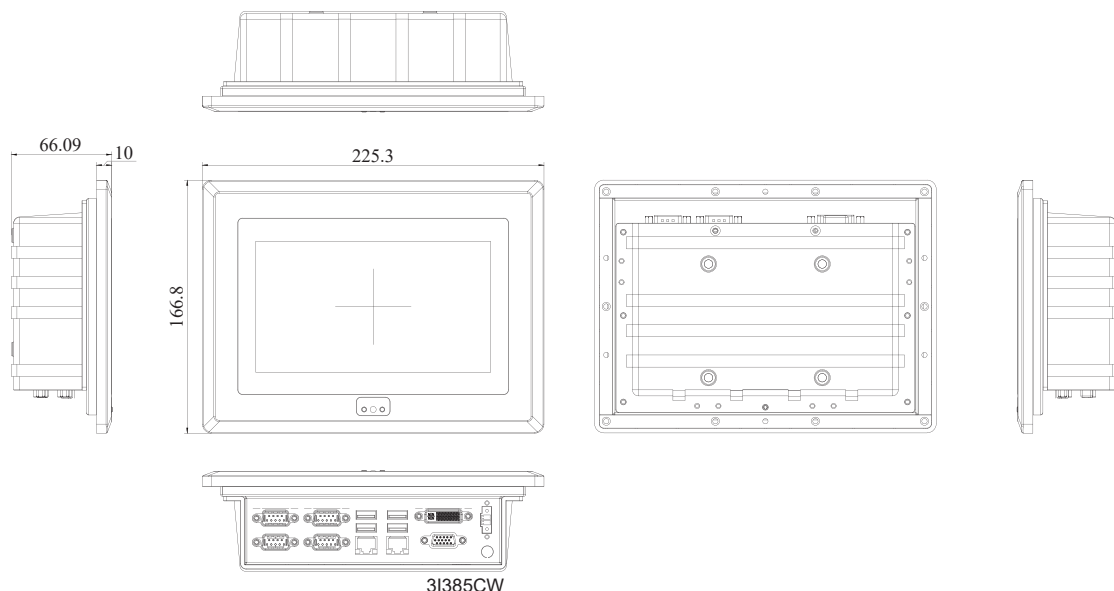
(100 % CPU usage) 0°C to +50°C with HDD

Storage Temp. -20°C to +70°C

Relative Humidity 95% @ 40°C, non-condensing

IP Rating Front panel IP65 Compliant

## Dimension



Specification are subject to change without prior notice. ODM / OEM is available.