



VITA 10.1" PPC

10.1" Frameless Panel PC
with Intel® Bay Trail Processor

Features:

- 10.1" LCD with capacitive touch screen
- Intel® Bay Trail CPU: Atom™ E3845 / E3825, Celeron® J1900
- DDR3L SODIMM, Max. 8GB
- 2 x GbE, 4 x COM, DVI, VGA, 4 x USB
- Wide Range 9~36V DC input
- Frameless Panel & Aluminum housing

Specifications :

Motherboard	3I385CW	
CPU	Intel® Bay Trail E3845 / E3825 / J1900	
Chipset	Intel Bay Trail SoC	
Memory	DDR3L SODIMM, Max. 8GB	
Storage	mSATA	
Expansion slots	1 x Full-size Mini PCIe (PCIe / USB / mSATA) 1 x Full-size Mini PCIe (PCIe / USB)	
I/O ports	Network	2 x Intel GbE
	USB	4 x USB 3.0
	Serial ports	4 x RS232 / 422 / 485
	Display	1 x VGA, 1 x DVI
Optional Modules & Function	GPS, Bluetooth, PoE, WiFi, 4G LTE, Isolated COM, battery UPS *VESA Mount Kit, *External power adapter	
Certification	CE / FCC	
OS Support	Windows® 10 IOT (64bit), Windows® 8.1 (64bit), Windows® Embedded 8 Standard (64bit), Windows® 7 (32 / 64bit), Windows® Embedded Standard 7 Runtime, Ubuntu 14.10 above, Fedora 25 above, Debian 8 above, CentOS 7.3 above, Mint 18.1 above	

Mechanical

Dimensions	260.67W x 183.37D x 70.8H mm
Weight	2.5 kg
Mounting	VESA mount & Stand (optional)

Power

DC input	+9~36V
AC input	External adapter 100 / 240V AC-DC (optional)

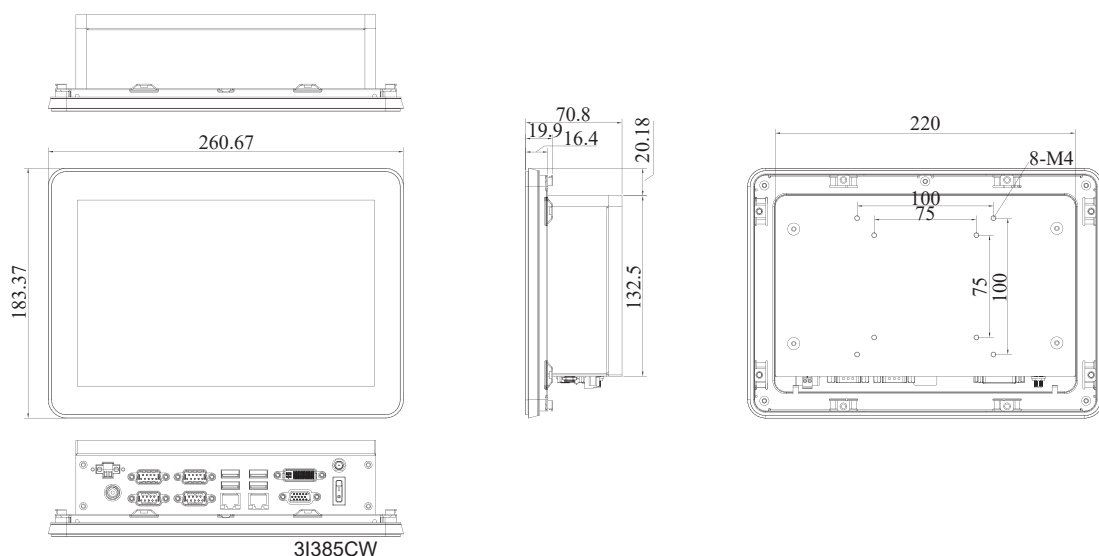
LCD Display & Touch

Display Type	10.1 inch 16:9
Max. Resolution	1280 x 800
Viewing Angle	85(U), 85(D), 85(R), 85(L)
Luminance (cd/m2)	500
Contrast Ratio	1300:1
Touch Type	Projected Capacitive Touch Screen

Environment

Operating Temp. (100 % CPU usage)	-20°C to +50°C with mSATA
Storage Temp.	-20°C to +70°C
Relative Humidity	95% @ 40°C, non-condensing
IP Rating	Front panel IP65 Compliant

Dimension



Specification are subject to change without prior notice. ODM / OEM is available.