

# APOLLO 3I470DW

High Performance 10th Gen  
Intel® Comet Lake-S i9 / i7 / i5 / i3 Pentium /  
Celeron (35W) CPU Fanless Embedded Computers



## Features:

- 10th Gen Intel® Comet Lake-S i9 / i7 / i5 / i3 Pentium / Celeron (35W) CPU
- Intel® Q470 Chipset
- 2 x DDR4 2400 MHz SODIMM, Max. 64GB
- Multiple Independent display: HDMI, DP
- 5 x Intel GbE LAN, 4 x USB 3.1, 2 x COM
- 1 x M.2 B Key, 1 x Mini PCIe, 1 x PCIe, 1 x Nano SIM

## Specifications :

Motherboard	3I470DW	
CPU	10th Gen Intel® Comet Lake-S i7 / i5 / i3 CPU	
Chipset	Intel® Q470	
Memory	2 x DDR4 SODIMM socket, Max. 64GB	
Storage	mSATA, HDD / SSD*, M.2	
Expansion slots	1 x Full size Mini PCIe (PCIe / mSATA / USB 3.0 / USB 2.0) 1 x M.2 B Key, Type 3042 / 3052 (mSATA / PCIe / USB 3.0 / USB 2.0) (Support NVME)	
I/O ports	Network	5 x Intel GbE (1 x I219LM + 4 x I225)
	USB	4 x USB 3.1
	Serial ports	2 x RS232 / 422 / 485
	Display	1 x DP, 1 x HDMI
	PCIe	1 x PCIe 16x / 8x / 4x / 1x golden finger
	SIM	1 x Nano SIM
Optional Modules & Accessor	GPS, Bluetooth, PoE, WiFi, 4G LTE, Isolated COM, battery UPS, DI/DO, *SATA Kit, Wall Mount Ki	
OS Support	Windows® 10 IOT, Windows® 11 IOT Ubuntu 22.04 above, Fedora 36 above	

## Mechanical

Dimensions 230 x 89 x 173 mm

Weight 4 kg

Mounting Wall Mount\*

## Power

DC input +12~36V

AC input External adapter 100 / 240V  
AC-DC 120W

## Environment

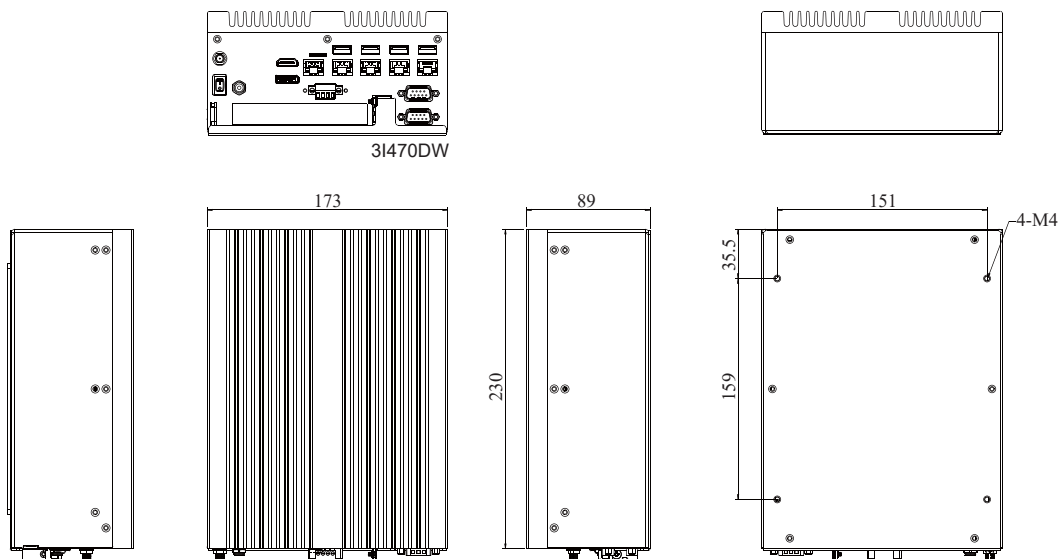
Operating Temp. 0°C to +50°C (Core i7 10700T)  
(100 % CPU usage) \*W / Industrial SSD

Storage Temp. -20°C to +70°C

## Certification

CE / FCC class A

## Dimension



Specification are subject to change without prior notice. ODM / OEM is available.