



# SKY 2 2I640CW

Computing Vision IPC w /  
Intel® Atom® Elkhart Lake 6000 Series CPU &  
Pre-installed Mini PCIe / M.2 Hailo-8™ AI Accelerator



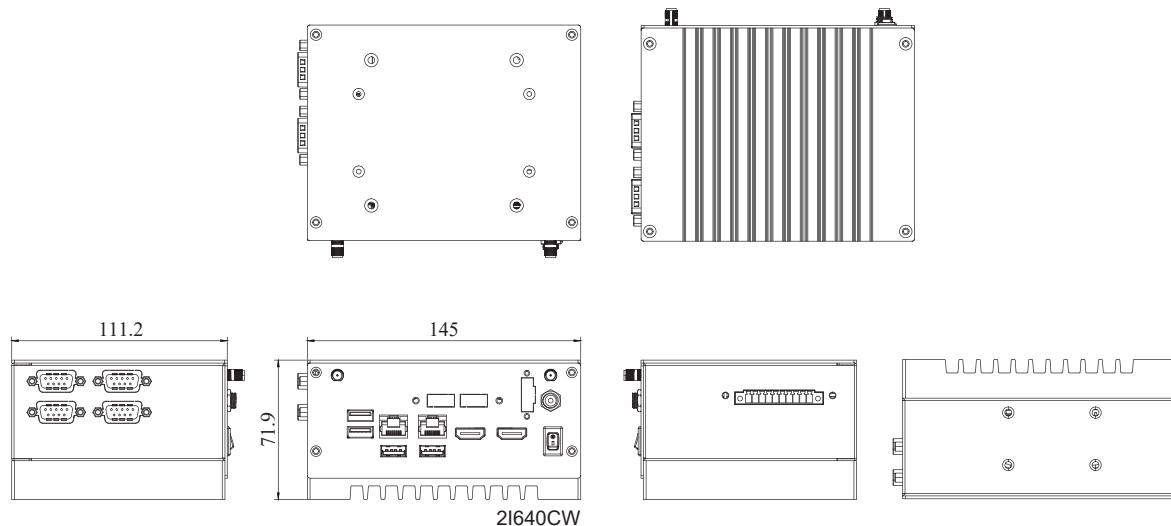
## Specifications :

Motherboard	2I640CW
CPU	Intel® Elkhart Lake ATOM x6413E Quad Core 3.0 GHz CPU Intel® Elkhart Lake Celeron J6412 Quad Core 2.6 GHz CPU
Chipset	Intel Elkhart Lake SoC
AI Accelerator	Pre-installed Mini PCIe / M.2 Hailo-8™ AI Accelerator
Memory	On Board LPDDR4 4 / 8GB
Storage	M.2, SSD
Expansion slots	1 x M.2 B Key Type3042 (USB 2.0 / SATA / USB 3.0-optional to PCIe x2) 1 x Nano SIM 1 x Mini PCIe (USB 2.0 / PCIe)
I/O ports	Network 2 x Intel 2.5 GbE I225 / I226 USB 2 x USB 3.0, 4 x USB 2.0 Serial ports 1 x RS232 / 422 / 485 ; 3 x RS232 DIO 4DI / 4DO (option) Display 2 x HDMI
Optional Modules & Accessory	4G / 5G LTE, M.2 Module *VESA Mounting Kit, *DIN-Rail Mounting Kit
OS Support	Windows® 10 IOT ; Windows® 11 IOT Ubuntu 22.04 above, Ubuntu 22.04 host OS, Hailo SW via Ubuntu container

## Mechanical

Dimensions	145W x 111.2D x 71.9H mm
Weight	1.36 kg
Mounting	VESA Mount*, DIN-Rail Mount*
Power	
DC input	Wide Range +9~24V
Environment	
Operating Temp.	-20°C to +60°C (X6413E) 0°C to +60°C (J6412) *With wide range temperature memory & storage
Storage Temp.	-20°C to +70°C
Relative Humidity	95% @ 40°C, non-condensing

## Dimension



Specification are subject to change without prior notice. ODM / OEM is available.