



# SKY 2-2I612CW

Compact Fanless Embedded Computer with 6th / 7th Gen Intel® Skylake-U / Kaby Lake-U i7 / i5 / i3 processor

## ■ Features:

- 6th / 7th Gen Intel® Skylake-U / Kaby Lake-U i7 / i5 / i3 processor
- 1 x DDR4 SODIMM socket, Max. 32GB
- Independent display: 2 x HDMI (OEM to DP)
- 2 x Intel GbE LAN, 4 x USB 3.0, 2 x COM
- 2 x Mini PCIe, 4DI / 4DO (Option)

## ■ Specifications :

Motherboard	2I612CW
CPU	6th / 7th Gen Intel® Skylake-U / Kaby Lake-U CPU
Chipset	Intel® Skylake-U / Kaby Lake-U SoC
Memory	1 x DDR4 SODIMM socket, Max. 32GB
Storage	mSATA, HDD / SSD*
Expansion slots	1 x Full-size Mini PCIe (mSATA / USB) 1 x Full-size Mini PCIe (PCIe / USB 2.0)
I/O ports	Network 2 x Intel GbE USB 4 x USB 3.0 Serial ports 2 x RS232 / 422 / 485 Display 2 x HDMI DIO 4DI / 4DO (Option)
Optional Modules & Accessory	GPS, Bluetooth, PoE, WiFi, 4G LTE, Isolated COM, battery UPS, DI / DO, Video Input *VESA Mounting Kit, DIN Rail Mounting Kit, *Wall Mount Kit *SATA Kit, External power adapter
OS Support	<b>7th Generation Intel® Core™ Processor family: Kaby Lake</b> Windows® 10 IOT (64bit), Ubuntu 16.04.3 above, Fedora 26 above, CentOS 7.4 above <b>6th Generation Intel® Core™ Processor family: Skylake</b> Windows® 10 IOT (64bit) Windows® 8.1 (64bit) Windows® Embedded 8 Standard (64bit) Windows® 7 (64bit) Windows® Embedded Sta 7 (64bit) Ubuntu 16.04.3 above, Fedora 26 above, CentOS 7.4 above

## ■ Mechanical

Dimensions	141W x 111.2D x 71.9H mm
Weight	1.36 kg
Mounting	VESA Mount* (VESA 75), DIN-Rail Mount*, Wall Mount*

## ■ Power

DC input	+9V~36V
AC input	External AC-DC adapter 100 / 240V (optional)

## ■ Environment

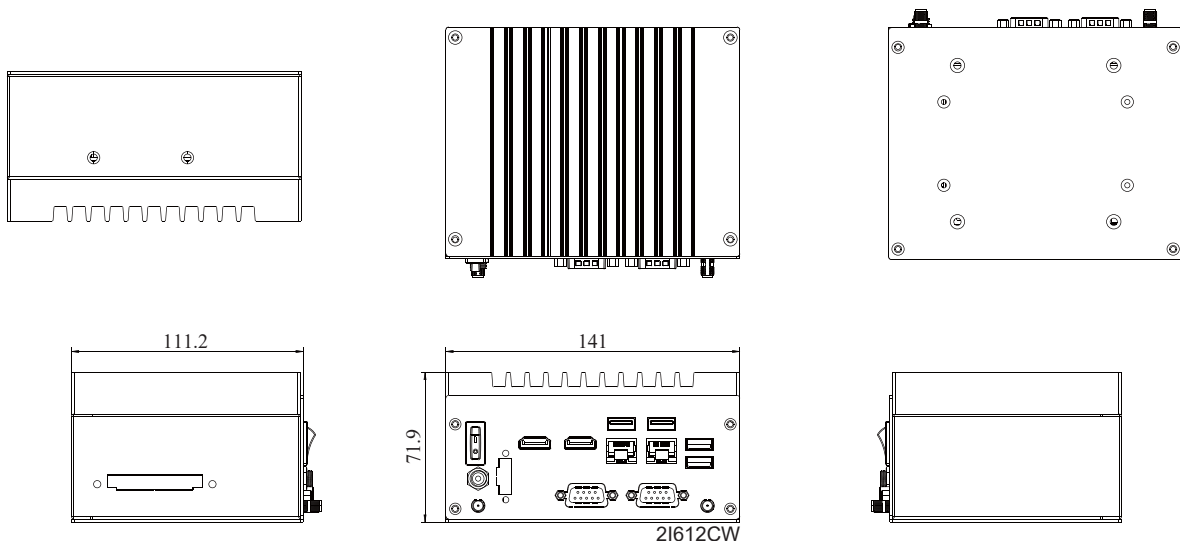
Operating Temp.	-20°C to +60°C (Celeron 3955U)
(100 % CPU usage)	-20°C to +50°C (Core i5 6300U)
	-20°C to +50°C (Core i7 6600U)
	-20°C to +50°C (Core i3 6100U)
	*W / Industrial SSD

Storage Temp.	-20°C to +70°C
Relative Humidity	95% @ 40°C, non-condensing

## ■ Certification

	CE / FCC class A
--	------------------

## ■ Dimension



Specification are subject to change without prior notice. ODM / OEM is available.