

# PW202

## Wide range input voltage power board with power ignition on/off delay function

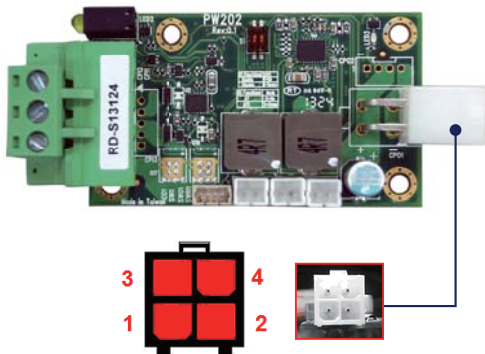
### Introduction:

PW202 is a wide range 15V-36V input voltage power board which supports power ignition on/off delay function (Car Power Control) for in-vehicle equipments which require higher

( PW2020-M / 120W  
( PW2020-M + PW202-S / 240W ) power consumption.

PW202 supports adjustable power ignition On/Off delay time.

TOP



PIN	1,2	3,4
DC OUT	+12V	Ground

### Features:

- DC Input: 15V~36V
- Output voltage: 12V (120W)
- Current: 10A
- CPC: Power ignition on/off delay function
- Protections: SCP, OCP, OVP, SVP, UVP, RIP (Reverse input protection)

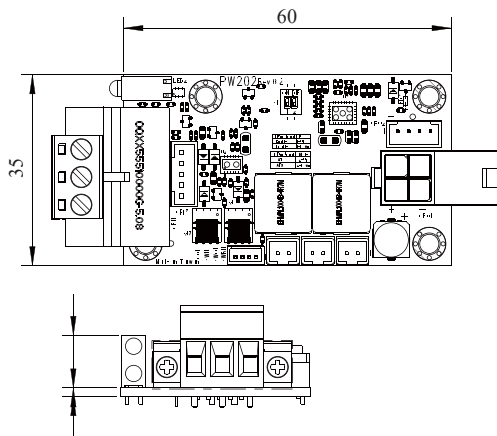
### Optional:

4pin & wafer type for DC output

### Specification:

Type	DC to DC
Input	3pin TB
Output port	2 x 2pin ATX & 1 x 4 wafer type
CPC Function	SMBus wafer, SW wafer
Operating Temperature	-40°C ~ +85°C
Dimensions	35 x 60 mm

### Mechanical Drawing:



### Ordering Information:

PW202-M

6G9102-0012001-0 PW202-M-001

PW202-S

6G9102-0012001-0 PW202-S-001

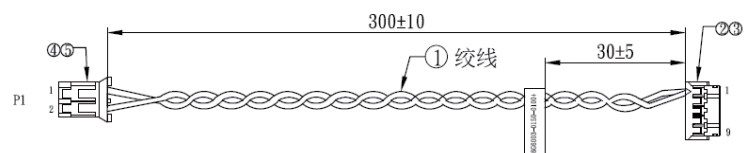
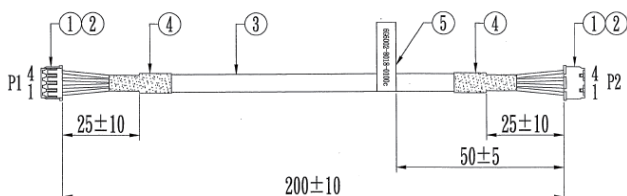
PIN	1	2	3
Description	Ign	V+	V-
DC-IN	Car ignition in	Car BAT+	Car BAT-



### Cable Information (Option):

6G6002-8018-0100 L=20cm, 4p / 1.25 to 4p / 1.25

6G6003-0150-0100 L=30cm, 2.0 2 x 5 / 2.0 1 x 2

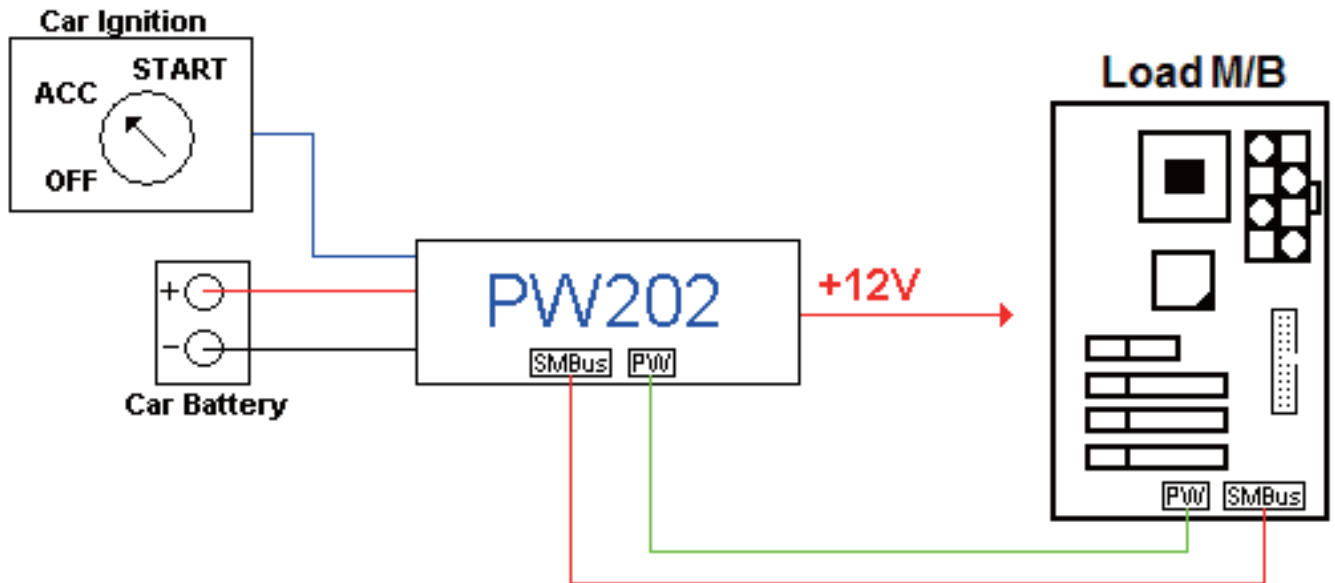


Specification are subject to change without prior notice. ODM / OEM is available.

# Working Instruction

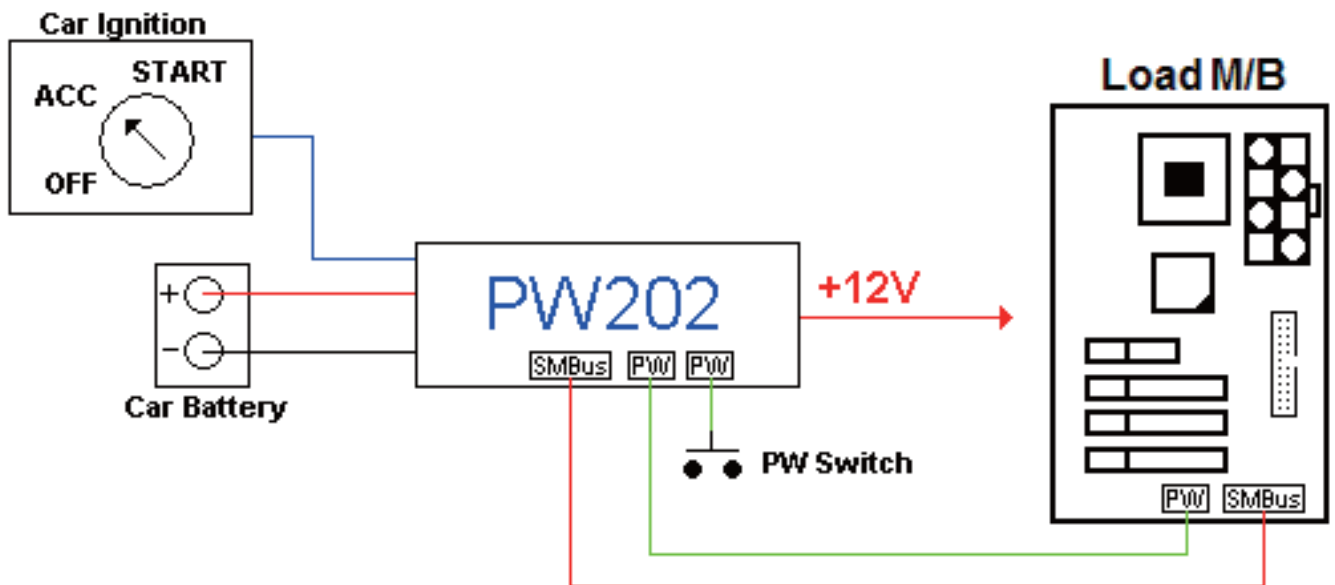
## Auto Mode

This is M/B connecting Diagram under the Auto Mode status



## Manual Mode

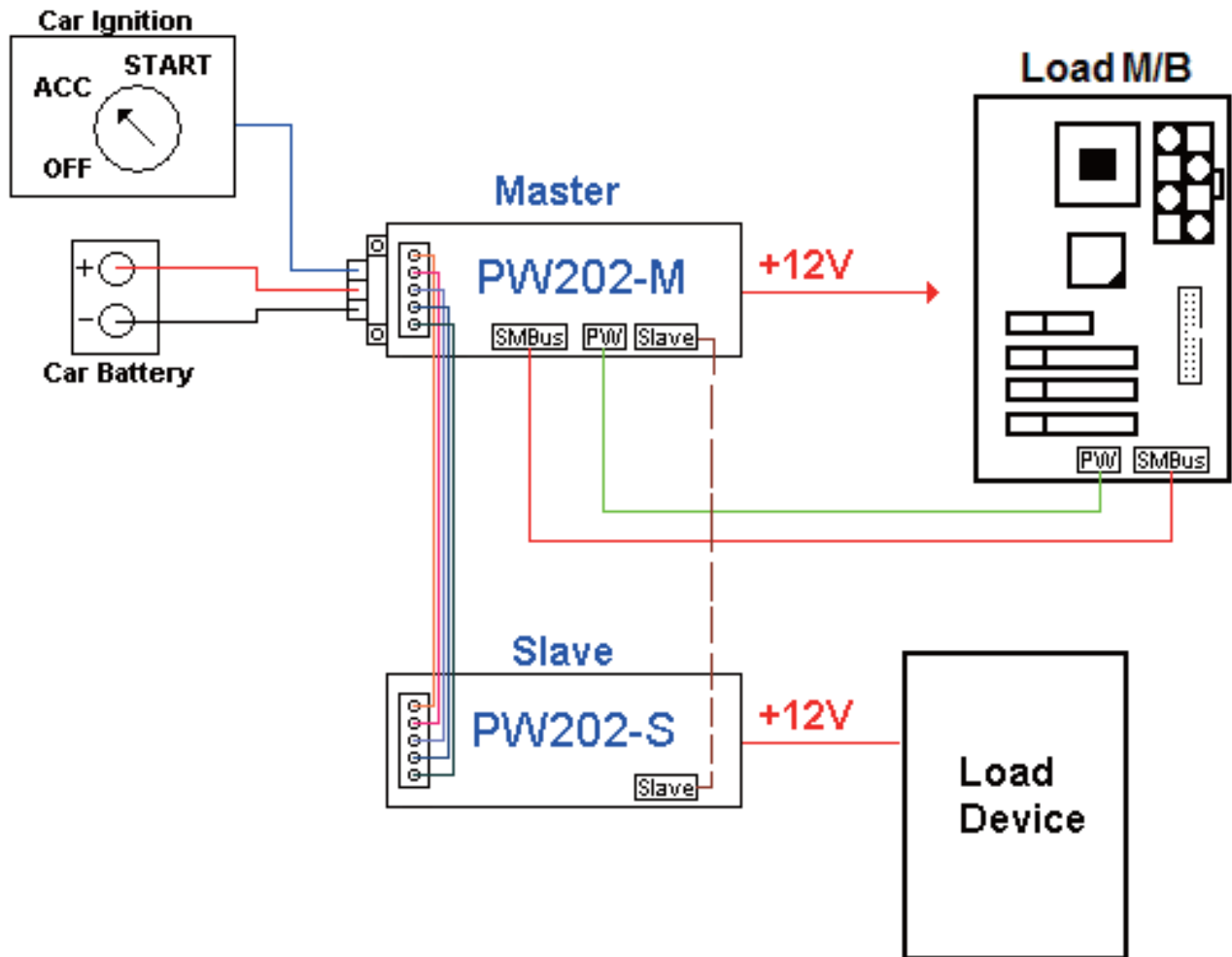
This is M/B connecting Diagram under the Manual Mode status.



# Working Instruction

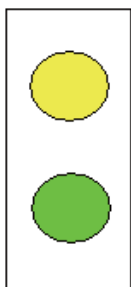
## Double PW202 Mode

This is M/B connecting Diagram under PW202 Master + PW202 Slave status.



### Car Power Control (CPC) LED behavior

Master



LED	Function	Active
Yellow	PW202 Vout Enabled	ON
	PW202 Vout Disabled	OFF
Green	CPC Status indicator	
	Delay Main Power On	ON:0.3sec, OFF:1sec
	OS Delay Off	ON:0.3sec x2, OFF:1sec
	Main Power Off delay	ON:1sec, OFF:1sec
	Battery Low Voltage	ON:0.3sec, OFF:0.3sec

Slave



LED	Function	Active
High Blue	PW202-S Vout Enabled	ON
	PW202-S Vout Disabled	OFF