

CL867A

USB2.0 to 10BASE-T1S

Introduction:

Microchip LAN9500Ai Single Chip Hi-Speed USB 2.0 to 10 / 100 Ethernet Controller

Microchip LAN8670C2 high-performance 10BASE-T1S single-pair Ethernet PHY transceiver

Top



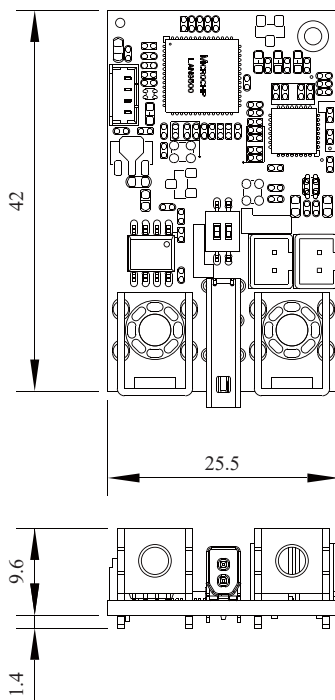
Features:

- USB to 10BASE-T1S interface card
- 10 Mbit/s short-reach single-pair Ethernet physical layer transceiver
- Half-duplex point-to-point link segments
- Half-duplex multidrop mixing segments
- Connects to a USB host
- Configurable on-board termination
- One USB single 1x4 pin 1.25mm wafer.
- Two point-to-point 1x2 pin 2.00mm wafer
- One SPE Connector (Single Pair Ethernet Connector)

Specification:

Type	USB2.0 to 10BASE-T1S
Input I/F	USB2.0, 1.25mm, 1 x 4pin
Output I/F	SPE Connector
Operating Temperature	-40°C ~ +85°C
Dimensions	25.5 x 42 mm

Mechanical Drawing:



Ordering Information:

6S9103-0012002-0 CL867A-001

Cable information:

6G6002-8018-0100 L=20cm, 4p/1.25 to 4p/1.25

