

# ROCK 2NOR01

Fanless AI Box:

NVIDIA® Jetson Orin™ Nano (Super) / NX SoM + 2NOR01



- CPU Board:
  - NVIDIA Jetson Nano (Super): 4 / 8GB LPDDR5, 20 / 40 TOPs
  - NVIDIA Jetson NX: 8 / 16GB LPDDR5, 70 / 100 TOPs
- AI Accelerator: NVIDIA® Jetson Orin™ Nano (Super) / Orin™ NX
- 1 x HDMI®
- 4 x USB 3.1
- Mic-in / Line-out
- 2 x RS232 (Option RS422)
- 1 x CANBus (Option)
- 2 x M.2 B key
- 4DI / 4DO (Option)
- Internal wafer: SPI, I<sup>2</sup>S, I<sup>2</sup>C, USB 2.0
- 2 x 2.5GbE, 1 x GbE
- 1 x Type C USB 3.1 / 2.0 (OTG)
- 1 x M.2 M key
- 1 x Nano SIM

## Specifications :

Motherboard	NVIDIA Jetson Orin SOM + 2NOR01
M.2	1 x M.2 M key Type 2242 (PCIe x 4), NVMe 1 x M.2 B key Type 3042 (PCIe x 1 / USB 2.0) ; WiFi / Bluetooth or PCIe 1 x M.2 B key Type 3042 (USB 3.1 / 2.0) ; 4G / 5G, GPS or USB Device
I/O ports	Network 2 x Intel 2.5GbE I226IT ; 1 x GbE USB 4 x USB 3.1 (external) ; 1 x USB 3.1 / 2.0 (Type C, OTG) Serial ports 2 x RS232 (Option RS422) CANBus 1 x CANBus (Option) Display 1 x HDMI® SIM Card 1 x Nano SIM DIO 4DI / 4DO (Option) Audio Mic-in / Line-out
Internal I/O wafer	SPI, I <sup>2</sup> S, I <sup>2</sup> C, USB 2.0
Optional Modules & Accessory	M.2 Module: 4G, 5G, PCIe, WiFi, GPS, Bluetooth, NVMe DIN Rail Mounting Kit, VESA Mounting Kit, Wall Mounting Kit

## Mechanical

Dimensions	173W x 130D x 85H mm
Weight	2.6 kg
Mounting	DIN Rail Mount*, VESA Mount*, Wall Mount*

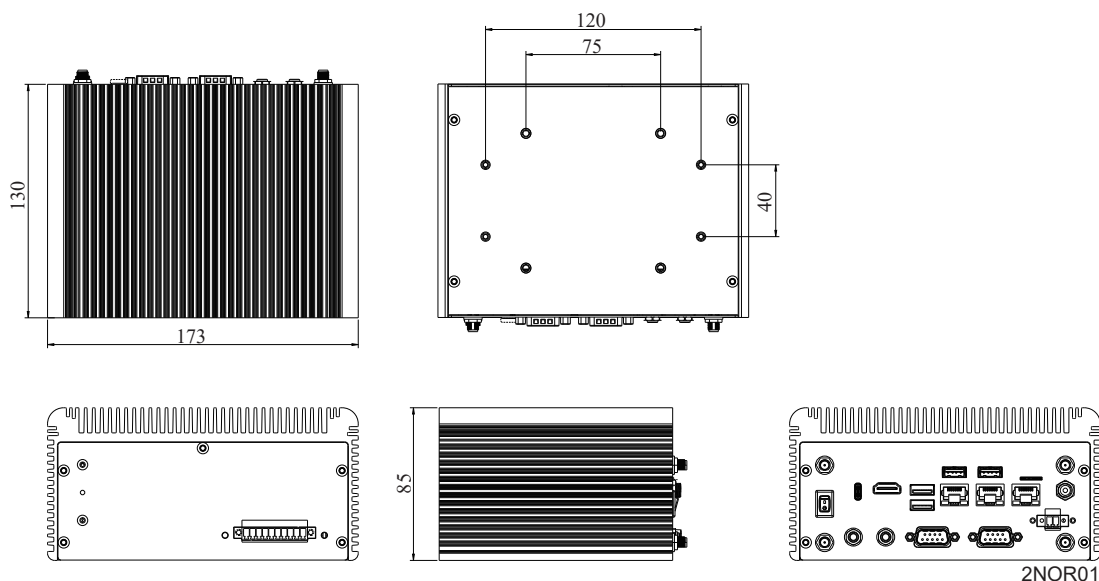
## Power

DC input	Wide Range +9~36V
Ignition Option	ignition by module

## Environment

Operating Temp. (100 % CPU usage)	-25°C to +60°C
Relative Humidity	95% @ 40°C, non-condensing
OS Support	JetPack 6.2 Ubuntu 22.04.05

## Dimension



Specification are subject to change without prior notice. ODM / OEM is available.