

PW301

1 port PoE PD

Introduction:

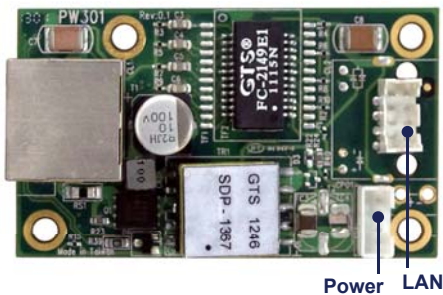
PW301 is PD power solution board & compliants to IEEE 802.3 At type 2.

It supports up to 25.5W / +12V output and has both over current protection and short protection.

PDRR



PDRH



Features:

- DC Input: +37V to +57V
- Output voltage: +12V
- Current: Compliant IEEE802.3 af/at type 2 up to 25.5W

Specification:

Type	PoE Device to DC & LAN
Input	RJ45
Output port	1 x 4 pin power & RJ45 or 2 x 4 pin LAN wafer
Operating Temperature	-40°C ~ +65°C
Dimensions	35 x 60 mm

Ordering Information:

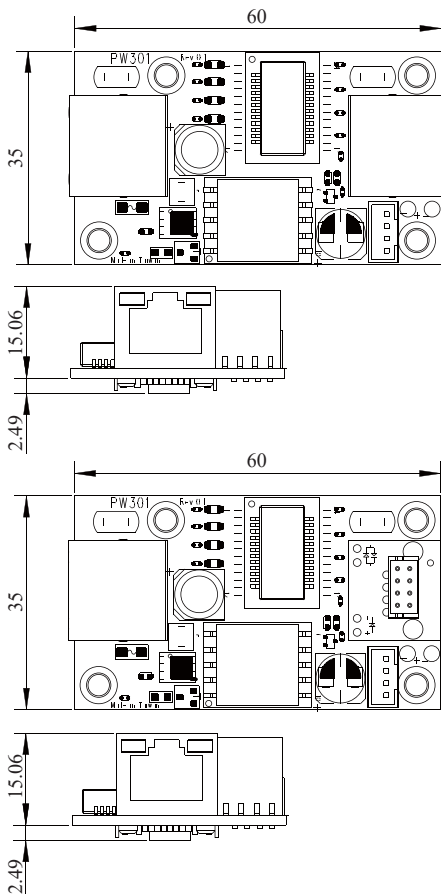
PW301-PDRR

6G9102-0040001-0 PW301-PDRR-001

PW301-PDRH

6G9102-0010001-0 PW301-PDRH-001

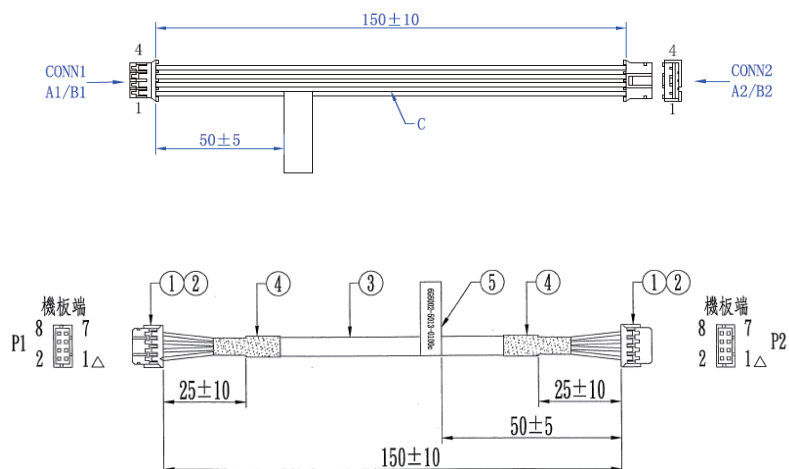
Mechanical Drawing:

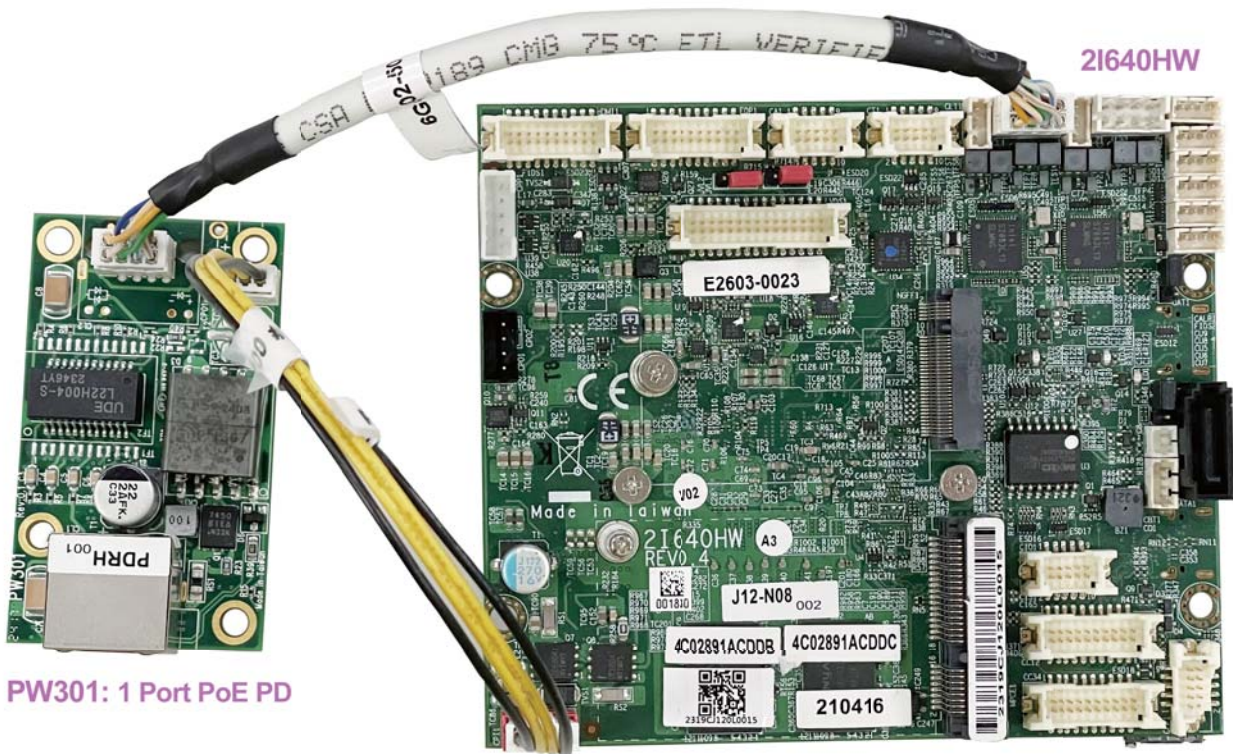


Cable Information (Option):

6G6003-7347-0100 2.0 1 x 4 / 2.0 1 x 4, L=15cm

6G6002-5033-0100 2.0 2 x 4 / 2.0 2 x 4, L=15cm





PW301: 1 Port PoE PD

Easy Expansion: Connect PW301 to LEX SBCs to enable 1-port PoE PD (25.5W).