

# CN073

## M.2 to USB 3.0 or PCIe converter board

CN073-A: M.2 2242 B+M key to USB3.0 signal with USB Type A interface

CN073-S5: M.2 2242 B+M key to USB3.0 signal with SSL interface

CN073-S3: M.2 2242 B+M key to PCIe signal with SSL interface

### Introduction:

CN073 is a M.2 B+M key adapt board to USB3.0 or PCIe signal depends on MB and device

TOP



CN073-S3

### Features:

- M.2 2242 B+M key adapt board to USB3.0 or PCIe signal depends on MB and device

### Specification:

Function	M.2 2242 B + M key to USB3.0 or PCIe signal
Interface	USB Type A / 30 pin SSL connector
Operating Temperature	-40°C ~ +85°C
Dimensions	22 x 42 mm

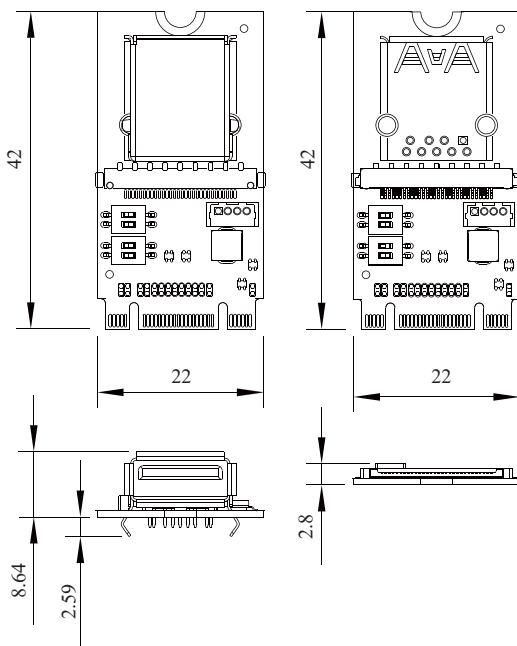
### Ordering Information:

6G9101-0103001-0 CN073-A-001

6G9101-0104001-0 CN073-S5-001

6G9101-0106001-0 CN073-S3-001

### Mechanical Drawing:



### Cable information:

6G6002-8068-0100 SSL20-30SSB-020-B+T1P, L=20cm

