



SKY 2 2I110D

**Compact cutting-edge
AI solution with 11th
Gen. Intel® Core™
processors
(Tiger Lake-UP3)**

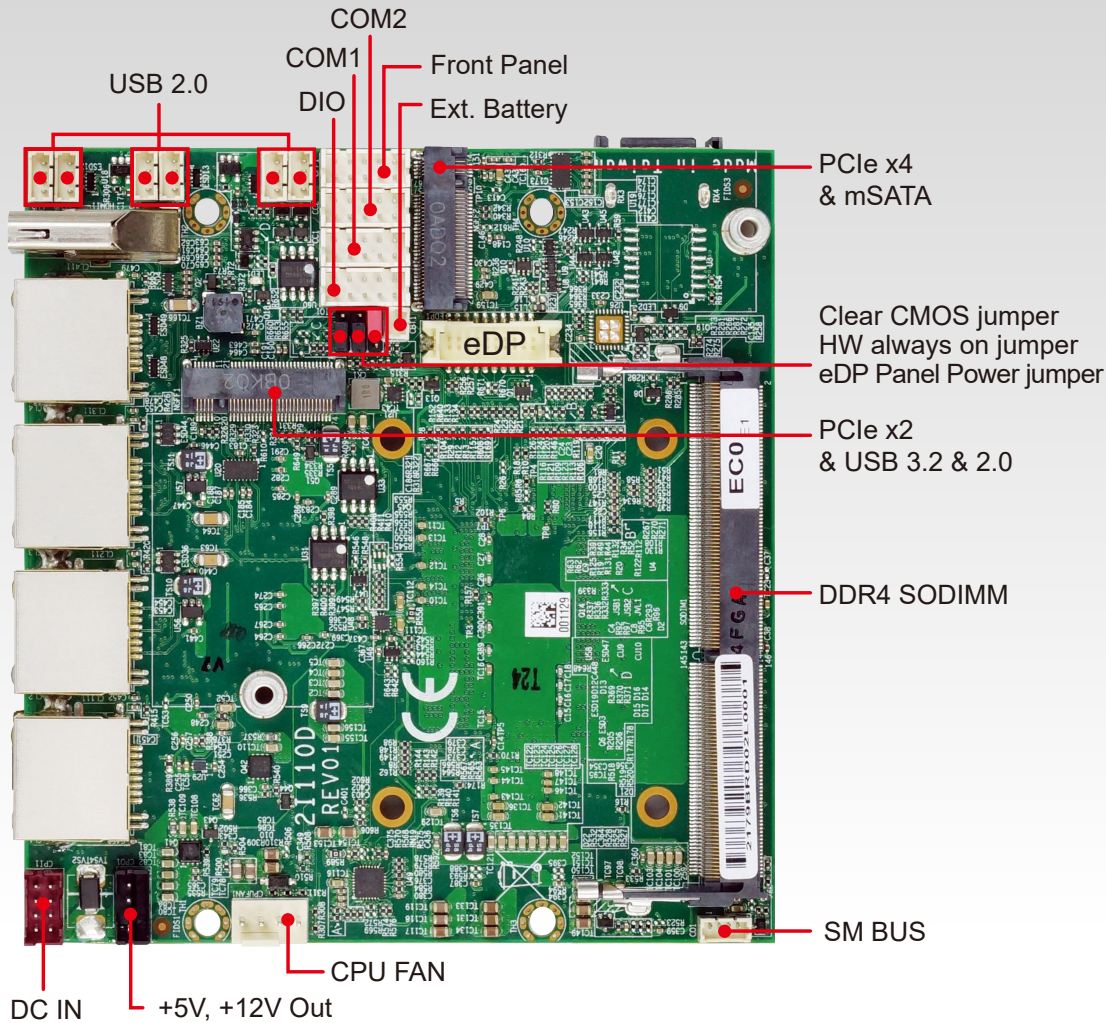
**Deep-Learning and video
analysis with LEX System
Edge AI Computing**

SKY 2 2I110D

- 11th Gen Tiger Lake-UP3 i7 /i5 /i3, Celeron CPU
- Multiple Independent display: HDMI
- 4 x Intel GbE LAN, 3 x USB 3.2, 2x COM
- 2 x M.2, 1 x Nano SIM , DI/O
- Support Intel® OpenVINO™ Toolkit



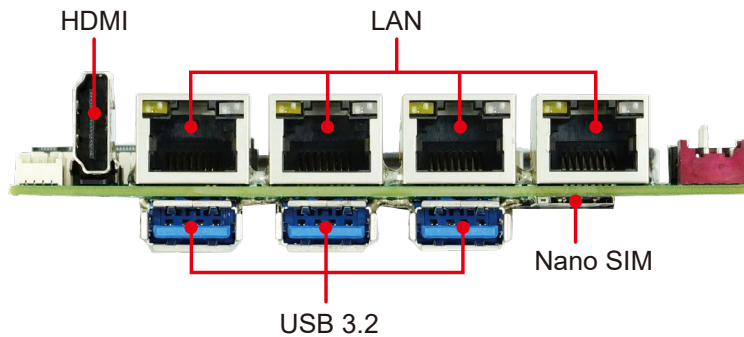
Function Map



2I110D

2I110D –compact Edge AI solution

- 11th Gen Intel® Tiger Lake-UP3, i7 / i5 / i3 / Celeron CPU
- 1 x DDR4 SODIMM Max. 32GB
- Multiple Independent display: HDMI, eDP
- 4 x Intel GbE i219LM / i210IT LAN, 3 x USB 3.2 (Type A), 6 x USB 2.0,
- 2 x COM RS232 / 422 / 485, 4DI / 4DO,
- 1 x M.2 B key Type 3042 (PCIe x2 / USB 3.2 / 2.0), 1 x Nano SIM
- 1 x M.2 M key Type 2242 (PCIe x4 / SATA), Supports NVMe SSD
- TPM 2.0 (Optional)
- DC IN +12V
- Operation Temp. : -20°C~ + 70°C



[Data Sheet](#)

About LEX Comptech

Established in 1990, LEX Comptech is an industrial computer manufacturer, provides LEX SYSTEM embedded solutions include designing and manufacturing of industrial motherboards, fanless embedded systems, rugged panel PC, in-vehicle fanless PC, network appliances, machine vision and automation controllers & IoT related solutions.

LEX SYSTEM's R&D team consisted with electronics, layout, system, mechanical, BIOS, firmware as well as software engineers, plus with experienced project management, in-house manufacturing and after sales service provides ODM /OEM customized products for various application-oriented projects.

Taiwan Headquarters LEX Comptech Co. Ltd

Tel: 886 2 2228-1055
Fax: 886 2 2228-1056
Email:
lex.sales@lex.com.tw
www.lex.com.tw

Europe Sales representative LEXCOM B.V.

Tel: 31 73 687-2390
Fax: 31 73 687-2398
Email:
info@lex.com.tw
www.lex.com.tw

Russia Sales representative LEX Comptech Co. Ltd

Tel: 7 906 082-8862
Email:
anton@lex.com.tw
www.lex.com.tw

China Sales representative LEX Comptech Co. Ltd

Tel: 86 29 8623-9340 Fax: 86 29 8623-9340
Peter
手机: 18500172031 or 13823511963
E-mail: peter@lex.com.tw
Robin
手机: 15829309561 or 13379296808 同微信号
E-mail: robin@lex.com.tw