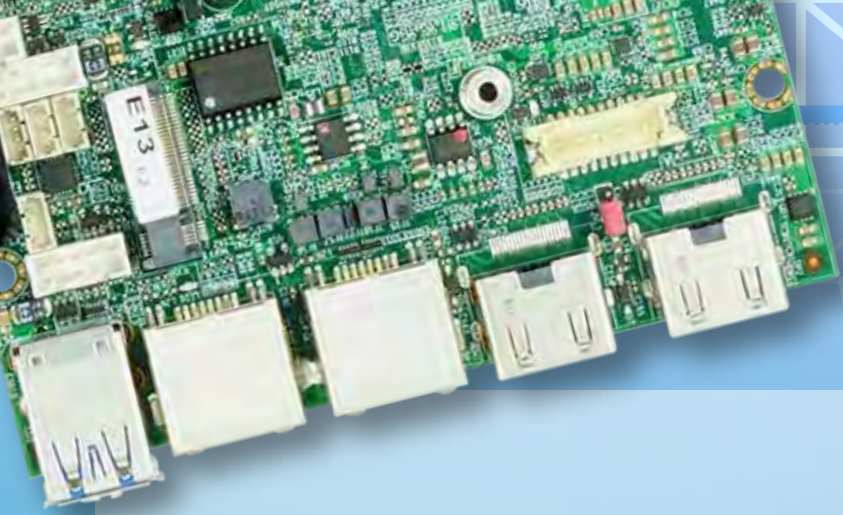


Compact size

Intel® Atom™ (formerly Elkhart Lake)
solution for Enhanced IoT Applications



21640CW

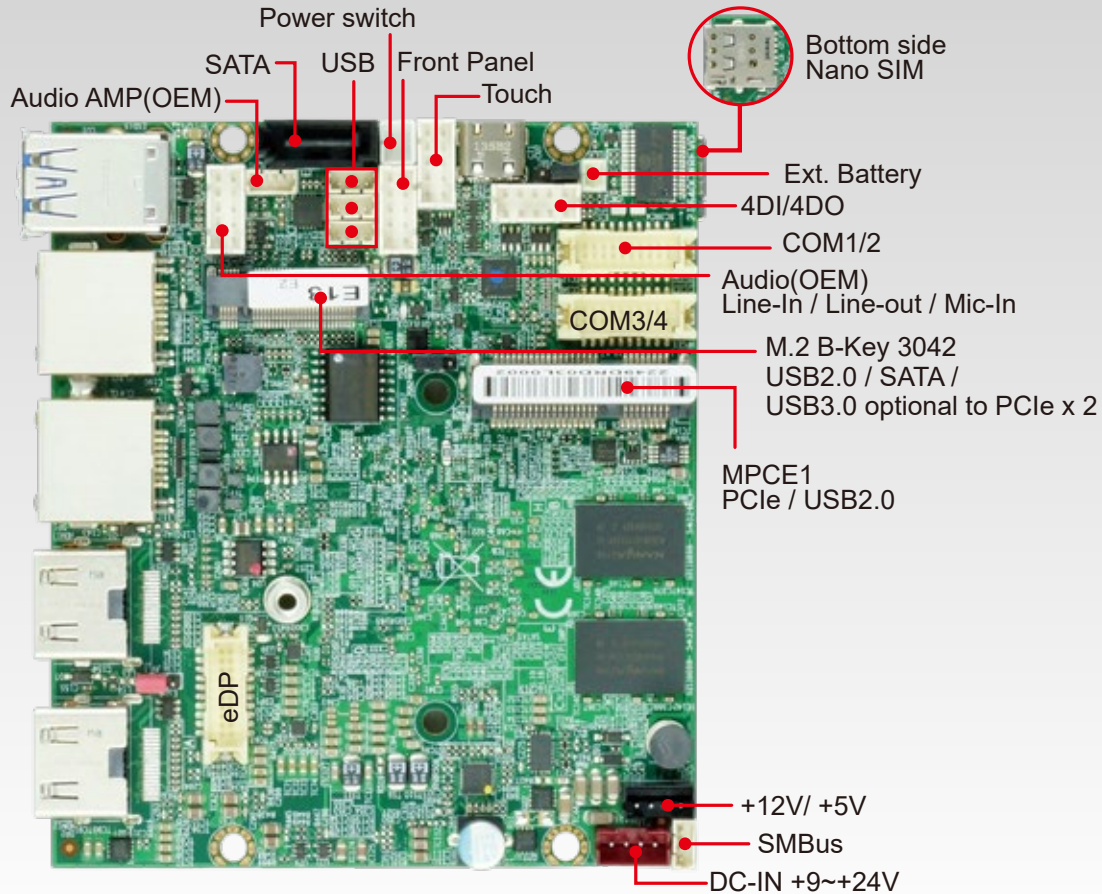


Compact size Intel® Atom™ (formerly Elkhart Lake) solution for Enhanced IoT Applications

LEX SYSTEM 2I640CW is a 2.5" (102 x 88 mm) embedded board and base on Intel Atom® x6000E Series and Celeron® J (formerly Elkhart Lake) Series processors. Running with Intel® UHD Graphics ,2I640CW provide high-performance and full –features with integrated 2 x 2.5 GbE LAN, 7 x USB, 4 x COM Port , 2 x HDMI(or DP) and eDP display interface and 1 x M.2, 1 x Mini Card expansion slot offers the ideal platform for graphics performance with integrated IoT features, real-time performance, manageability, and security.

The compact size feature makes 2I640CW well suited for many space-limited and thermally constrained embedded applications, such as In-Vehicle Infotainment, Intelligent Control, Factory Automation Industry 4.0,Internet of Things (IoT) and Edge Computing applications.

Function Map

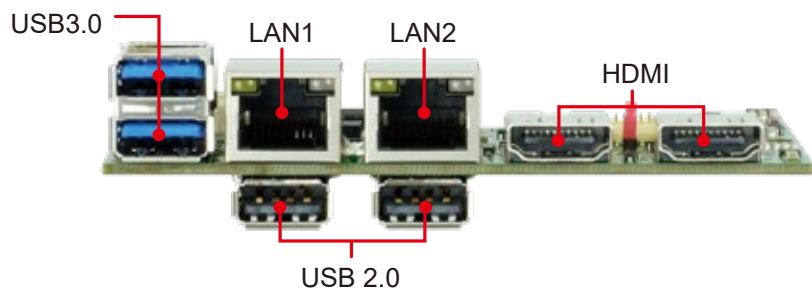
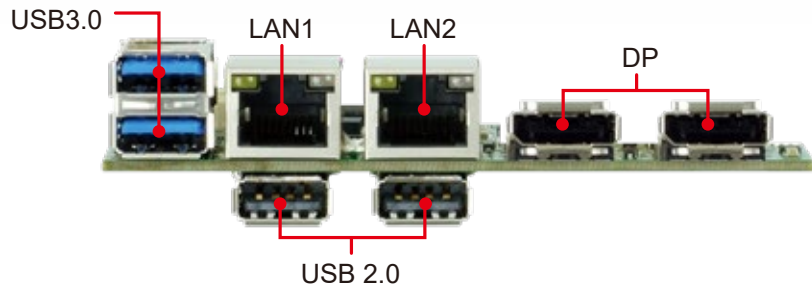


21640CW

21640CW – ideal solution for space-limited IoT Applications

- Intel® Elkhart Lake ATOM® x6413E / J6412 CPU
- On Board LPDDR4 up to 8GB
- Independent display: 2 x HDMI (DP), 1 x eDP
- 2 x Intel 2.5 GbE LAN, 2 x USB 3.0, 5 x USB 2.0
- 4 x COM, 1 x Mini PCIe, 1 x M.2, 1 x Nano SIM, SMBus
- Touch Screen, 4DI / 4DO
- TPM 2.0
- Wide Range DC IN +9~24V
- Wide temperature support of -20°C ~ 70°C

[Data Sheet](#)



NET-III 2I640CW

Dimension: 135W x 110D x 40H mm

- Slim & Ultra Compact DIN-Rail System
- Ideal solution for space-limited environment





SKY 2 - 2I640CW

Dimension: 145W x 111.2D x 71.9H mm

- Compact & Excellent DIN-Rail System
- Robust & Powerful Fanless Embedded solution



TERA - 21640CW

Dimension: 145W x 106.2D x 56.5H

- Compact size Fanless Solution



SLIM 15" PPC +21640CW

 Data Sheet



VITA



SUPER

LEX SYSTEM Panel PC series (SLIM/ SUPER/ VITA) powered by Intel® Elkhart Lake CPU with frameless display design plus with touch screen, rich I/O connection, wide range 9~24V DC input & both VESA/ Panel mounting offer uses the ideal platforms for demanding applications in versatile industrial automation, factory control, surveillance , smart kiosk , military and communication centers.

About LEX Comptech

Established in 1990, LEX Comptech is an industrial computer manufacturer, provides LEX SYSTEM embedded solutions include designing and manufacturing of industrial motherboards, fanless embedded systems, rugged panel PC, in-vehicle fanless PC, network appliances, machine vision and automation controllers & IoT related solutions.

LEX SYSTEM's R&D team consisted with electronics, layout, system, mechanical, BIOS, firmware as well as software engineers, plus with experienced project management, in-house manufacturing and after sales service provides ODM /OEM customized products for various application-oriented projects.

Taiwan Headquarters LEX Comptech Co. Ltd

Tel: 886 2 2228-1055
Fax: 886 2 2228-1056
Email:
lex.sales@lex.com.tw
www.lex.com.tw

Europe Sales representative LEXCOM B.V.

Tel: 31 73 687-2390
Fax: 31 73 687-2398
Email:
info@lex.com.tw
www.lex.com.tw

Russia Sales representative LEX Comptech Co. Ltd

Tel: 7 906 082-8862
Email:
anton@lex.com.tw
www.lex.com.tw

China Sales representative LEX Comptech Co. Ltd

Tel: 86 29 8623-9340 Fax: 86 29 8623-9340
Peter
手机: 18500172031 or 13823511963
E-mail: peter@lex.com.tw
Robin
手机: 15829309561 or 13379296808 同微信号
E-mail: robin@lex.com.tw