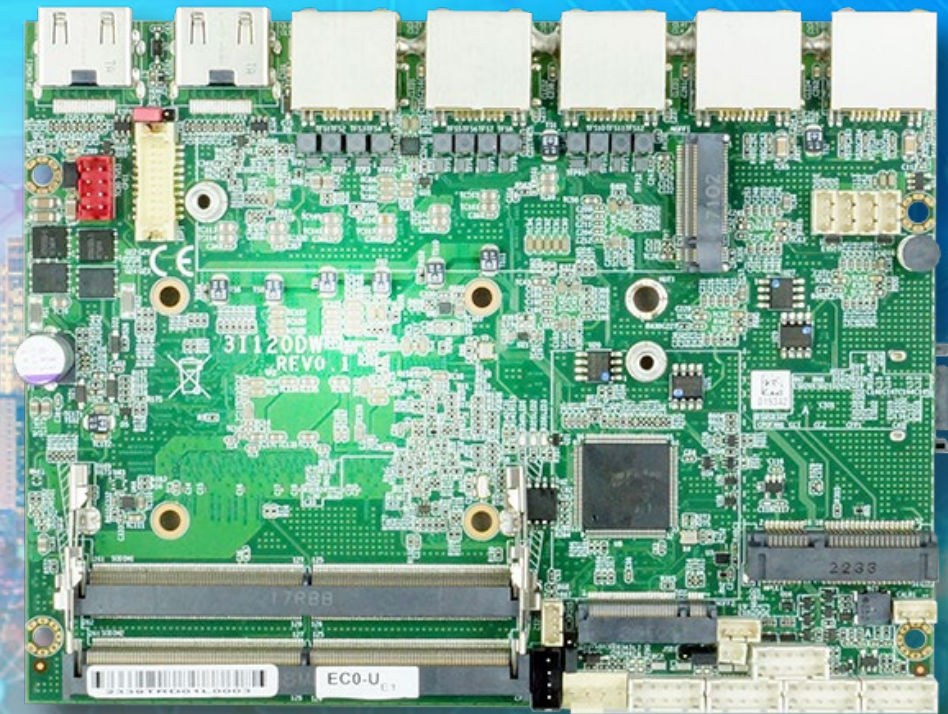


# Maximizing performance 3.5" SBC with 13th /12th Gen. Intel® Raptor Lake-P/U & Alder Lake -P/U i7/i5/i3/Celeron Processor



**31130DW**

AIoT

**Lex** SYSTEM®

[www.lex.com.tw](http://www.lex.com.tw)



# 3I130DW

## Maximizing performance 3.5" SBC with 13th /12th Gen. Intel® Raptor Lake-P/U & Alder Lake -P/U i7/i5/i3/ Celeron Processor

LEX System 3.5" SBC: 3I130DW is powered by Intel 13th Gen. Raptor Lake & 12th Gen Alder Lake i7/i5/i3/Celeron processors. It comes with 5 x 2.5 GbE LAN, 8 x USB, 2 x COM Port, 2 x HDMI (or DP) display interface, 1 x Mini PCIe, and 2 x M.2 expansion slots. 3I130DW's excellent processing performance and multiple Giga Ethernet ports, along with the wide range power( 9-36V) DC-IN , make it the perfect solution for exceptional connectivity for the smart city development with seamless data collection, secure data processing, image analysis and real-time control for demanding AIoT applications.

### North Area

Data collection

Air quality 80%

Chance of rain 55%

### Central Area

Data collection

Air quality 88%

Chance of rain 20%

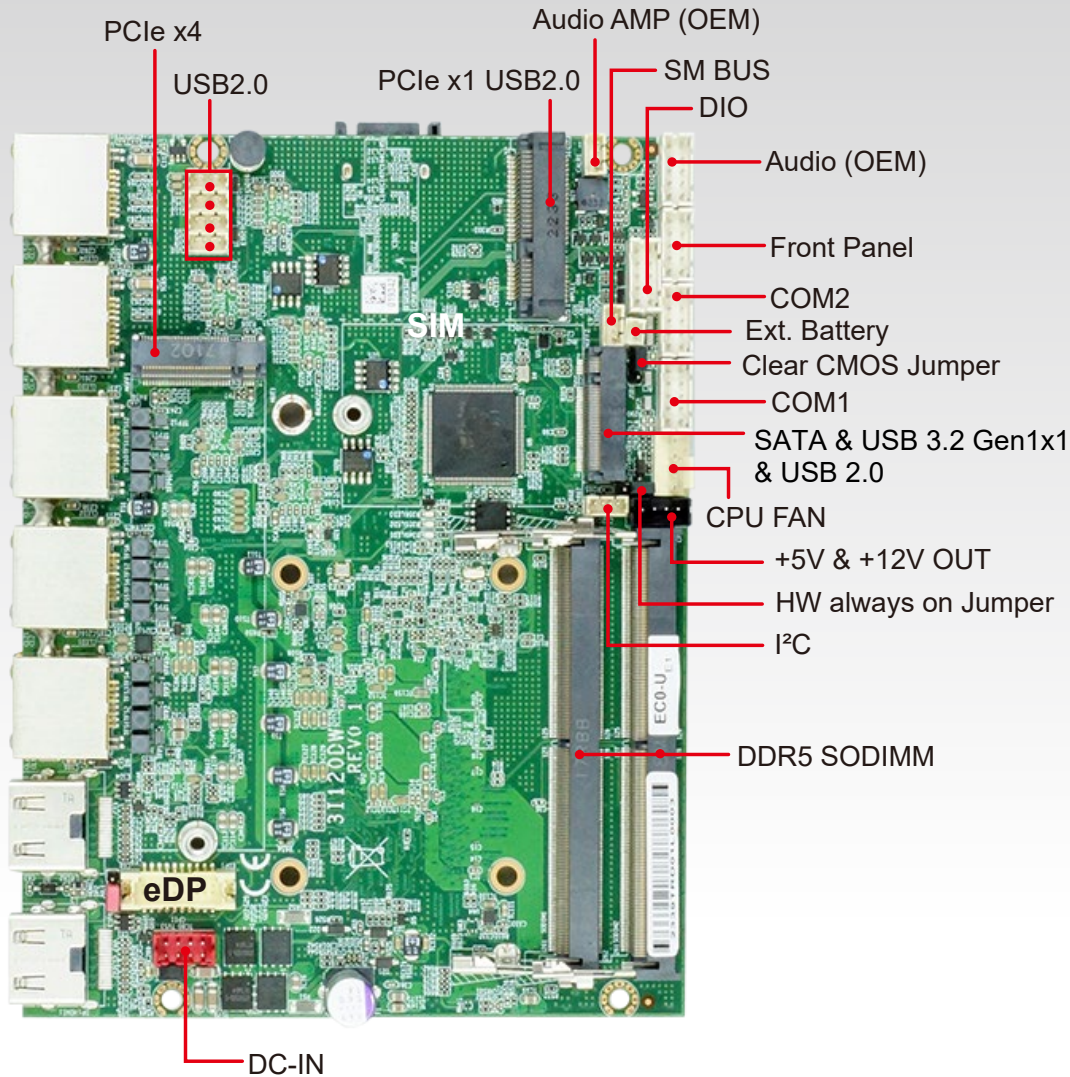
### South Area

Data collection

Air quality 76%

Chance of rain 43%

# Function Map

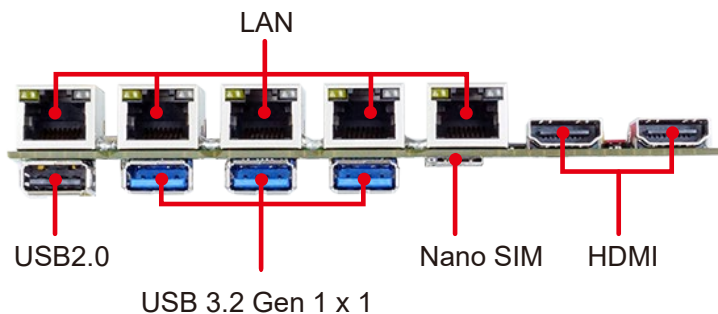


## 3I130DW

### 3I130DW –high performance solution for innovated embedded Applications

- 13th Gen Raptor Lake & 12th Gen Alder Lake i7/i5/i3/Celeron CPU
- 2 x DDR5 SODIMM (Max. 64GB)
- Multiple Independent display: 2 x HDMI, eDP
- 5 x Intel 2.5 GbE LAN, 3 x USB 3.2, 5 x USB 2.0
- 1 x Mini PCIe, 1 x M.2 M Key, 1 x M.2 B Key, 1 x Nano SIM
- 2 x COM, 4DI / 4DO, TPM 2.0, SMBus, I<sup>2</sup>C
- Wide temperature support of -20°C ~ 70°C

[Data Sheet](#)







## SKY3 3I130DW

Dimension: 183 W x 142.2 D x 83.9 H mm

- Super Excellent heat-dissipating  
DIN-Rail System
- Robust & Powerful Fanless  
Embedded solution



## TASK 3I130DW

Dimension: 77 H x 210 W x 125 D mm

- Super Excellent heat-dissipating System
- Robust & Powerful Fanless Embedded solution

## About LEX Computech

Established in 1990, LEX Computech is an industrial computer manufacturer, provides LEX SYSTEM embedded solutions include designing and manufacturing of industrial motherboards, fanless embedded systems, rugged panel PC, in-vehicle fanless PC, network appliances, machine vision and automation controllers & IoT related solutions.

LEX SYSTEM's R&D team consisted with electronics, layout, system, mechanical, BIOS, firmware as well as software engineers, plus with experienced project management, in-house manufacturing and after sales service provides ODM /OEM customized products for various application-oriented projects.

### Taiwan Headquarters LEX Computech Co. Ltd

Tel: 886 2 2228-1055  
Fax: 886 2 2228-1056  
Email:  
lex.sales@lex.com.tw  
www.lex.com.tw

### Europe Branch Office LEXCOM B.V.

Tel: 31 73 687-2390  
Fax: 31 73 687-2398  
Email:  
info@lex.com.tw  
www.lex.com.tw

### China Sales representative LEX Computech Co. Ltd

Tel: 86 29 8623-9340 Fax: 86 29 8623-9340  
Peter  
手机: 18500172031 or 13823511963  
E-mail: peter@lex.com.tw  
Robin  
手机: 15829309561 or 13379296808 同微信号  
E-mail: robin@lex.com.tw