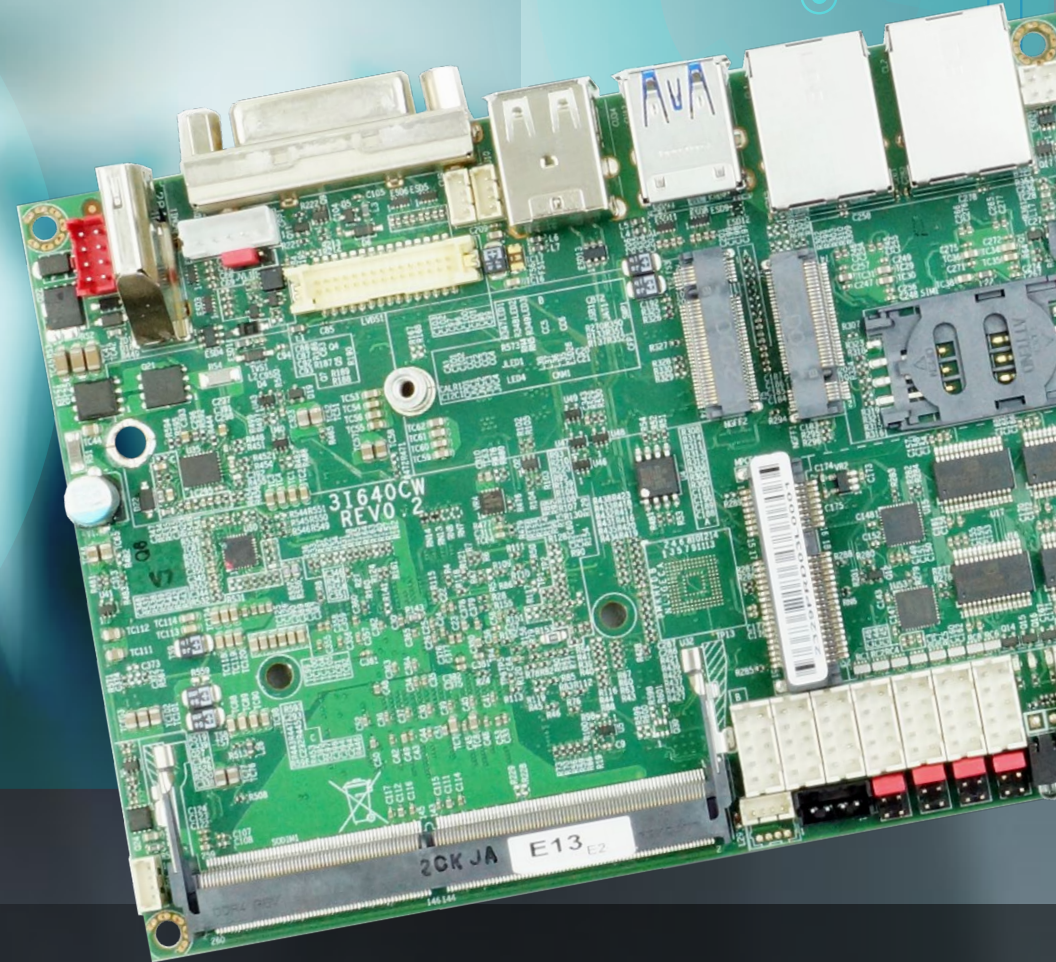
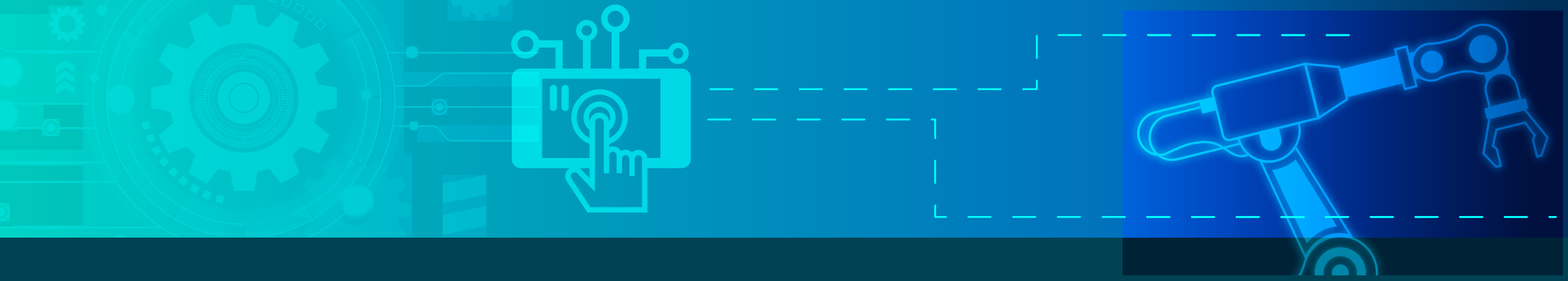


31640A/CW

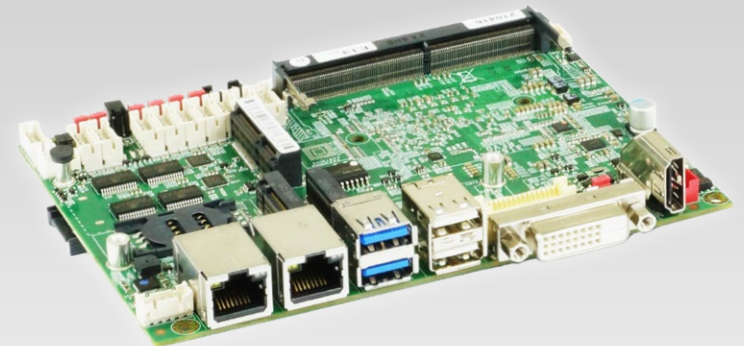
Maximizing performance 3.5" SBC with
Intel® Atom™ (Elkhart Lake) 6000 series processor



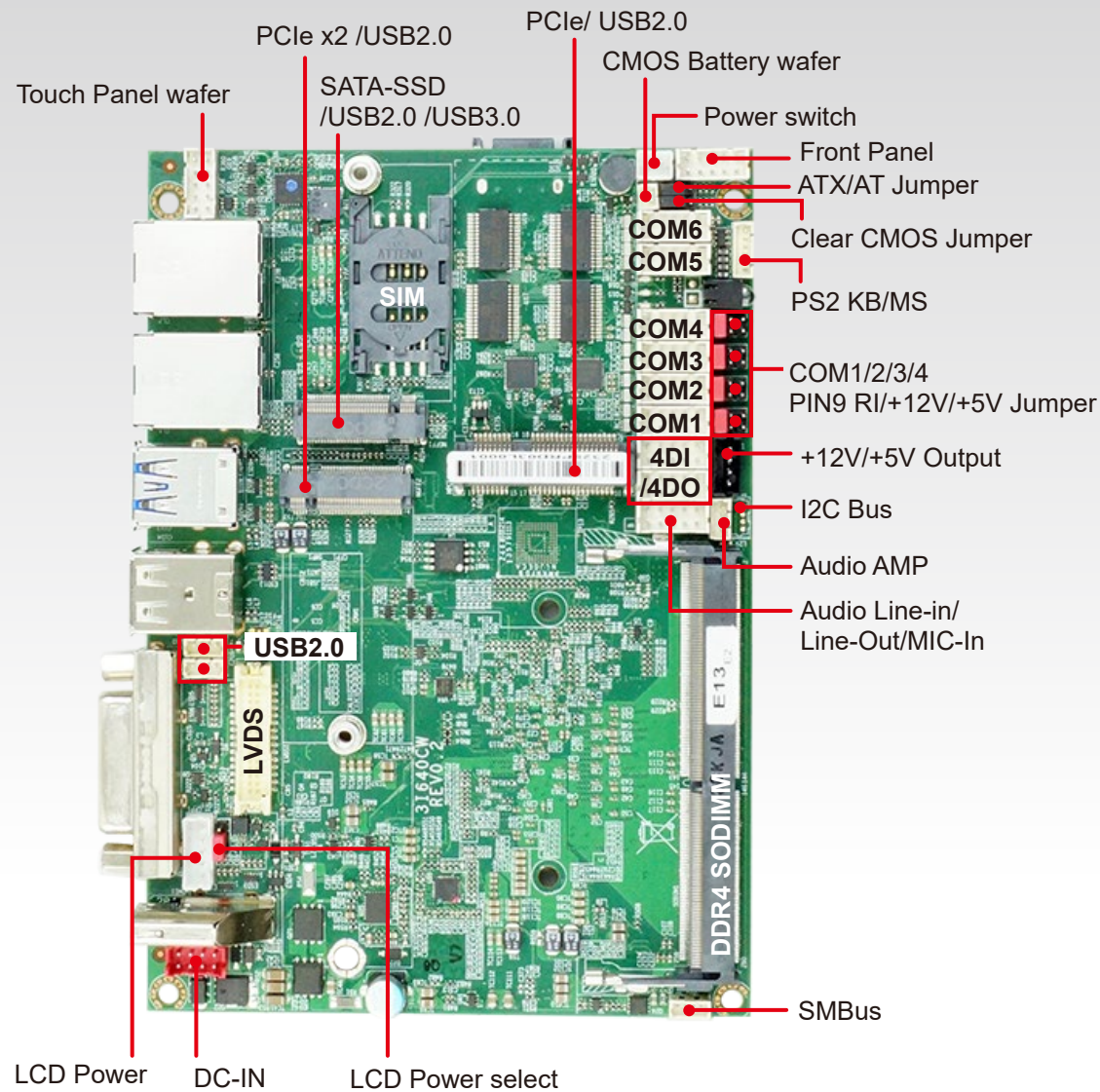


3I640A/CW: Maximizing performance 3.5” SBC with Intel® Atom™ (Elkhart Lake) 6000 series processor

LEX System 3.5” (146 x 102 mm) SBC: 3I640A/CW is with Intel Atom® x6000E Series and Celeron® J (formerly Elkhart Lake) Series processors. 3I640A/CW integrated 2x 2.5 GbE LAN, 6 x USB, 6 x COM Port , 1 x HDMI, 1 x DVI, 1 x LVDS display interface and 1 x Mini PCIe, 2 x M.2 expansion slot offers the ideal platform for graphics performance with integrated AIoT features, real-time performance, manageability, and security. 3I640A/CW with excellent processor performance, multiple Serial ports and touch screen controller features is the ideal solution for AI accelerators platform and advanced Edge AI, Intelligent Control, Factory Automation Industry 4.0, Internet of Things (IoT) and Edge Computing applications.



Function Map

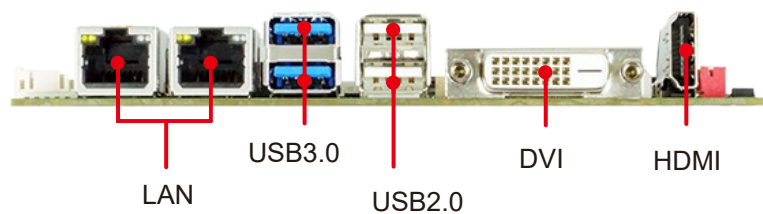


31640CW

31640CW – ideal solution for Automation and Panel PC Applications

- Intel® Elkhart Lake ATOM® x6413E / J6412 CPU
- 1 x DDR4 SODIMM, Max. 32GB
- Independent display: HDMI, DVI, LVDS
- 2 x Intel 2.5 GbE LAN, 2 x USB 3.0, 4 x USB 2.0
- 6 x COM, 1 x Mini PCIe, 2 x M.2, 1 x Mini SIM
- Touch Screen, 8DI / 8DO
- TPM 2.0 (Firmware) –OEM to Hardware TPM 2.0
- Wide Range DC IN +9~36V
- Wide temperature support of -20°C ~ 70°C

[Data Sheet](#)





OEM I/O Expansion



TWITTER

Dimension: 210W x 121D x 55H mm

- Compact & Excellent Fanless Embedded System

LEX SYSTEM Panel PC series (SLIM/ SUPER/ VITA/STAR) powered by Intel® Elkhart Lake CPU with frameless display design plus with touch screen, rich I/O connection, wide range 9~36V DC input & both VESA/ Panel mounting offer uses the ideal platforms for demanding applications in versatile industrial automation, factory control, surveillance , smart kiosk , military and communication centers.

SLIM series PPC +3I640CW- ABS front frame + Aluminum housing



SLIM 10.4"

[Data Sheet](#)

Dimension: 287.6 W x 245 D x 60.9 H

SLIM 12.1"

[Data Sheet](#)

Dimension: 320.3 W x 275 D x 60.9 H

SLIM 15"

[Data Sheet](#)

Dimension: 384 W x 312 D x 70.5 H

SLIM 17"

[Data Sheet](#)

Dimension: 413 W x 343 D x 64.5 H

SUPER series PPC +3I640CW

- Plastic(ABS) housing

Super 7"

[Data Sheet](#)

Dimension: 225.3 W x 166.8 D x 66.09 H

Super 10.1"

[Data Sheet](#)

Dimension: 293.4 W x 210.4 D x 66.79 H

Super 10.4"

[Data Sheet](#)

Dimension: 296 W x 250.4 D x 66.79 H

Super 15.1"

[Data Sheet](#)

Dimension: 404.1 W x 335 D x 68.7 H



SUPER

VITA series PPC +3I640CW

- Frameless Panel & Aluminum housing

VITA 10.1"

[Data Sheet](#)

Dimension: 260.67 W x 183.37 D x 80.8 H

VITA 15"

[Data Sheet](#)

Dimension: 364.03 W x 290.93 D x 82.8 H

VITA 21.5"

[Data Sheet](#)

Dimension: 519.91 W x 314.92 D x 83.4 H

VITA 23.8"

[Data Sheet](#)

Dimension: 575.06 W x 347 D x 83.8 H



VITA

STAR series PPC +3I640CW

- Aluminum housing

STAR 10.4"

[Data Sheet](#)

Dimension: 279.5 W x 231 D x 54 H

STAR 12.1"

[Data Sheet](#)

Dimension: 323.5 W x 268 D x 54 H

STAR 15.1"

[Data Sheet](#)

Dimension: 385.5 W x 317.5 D x 55.9 H

STAR 21.5"

[Data Sheet](#)

Dimension: 548 W x 328.6 D x 64 H



STAR

About LEX Comptech

Established in 1990, LEX Computech is an industrial computer manufacturer, provides LEX SYSTEM embedded solutions include designing and manufacturing of industrial motherboards, fanless embedded systems, rugged panel PC, in-vehicle fanless PC, network appliances, machine vision and automation controllers & IoT related solutions.

LEX SYSTEM's R&D team consisted with electronics, layout, system, mechanical, BIOS, firmware as well as software engineers, plus with experienced project management, in-house manufacturing and after sales service provides ODM /OEM customized products for various application-oriented projects.

Taiwan Headquarters LEX Computech Co. Ltd

Tel: 886 2 2228-1055
Fax: 886 2 2228-1056
Email:
lex.sales@lex.com.tw
www.lex.com.tw

Europe Branch Office LEXCOM B.V.

Tel: 31 73 687-2390
Fax: 31 73 687-2398
Email:
info@lex.com.tw
www.lex.com.tw

China Sales representative LEX Computech Co. Ltd

Tel: 86 29 8623-9340 Fax: 86 29 8623-9340
Peter
手机: 18500172031 or 13823511963
E-mail: peter@lex.com.tw
Robin
手机: 15829309561 or 13379296808 同微信号
E-mail: robin@lex.com.tw