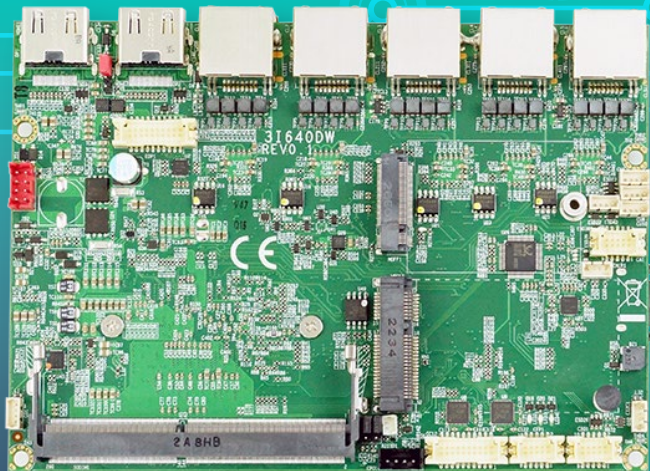


31640DW

Maximizing performance 3.5" SBC with Intel® Atom™
(Elkhart Lake) 6000 series processor



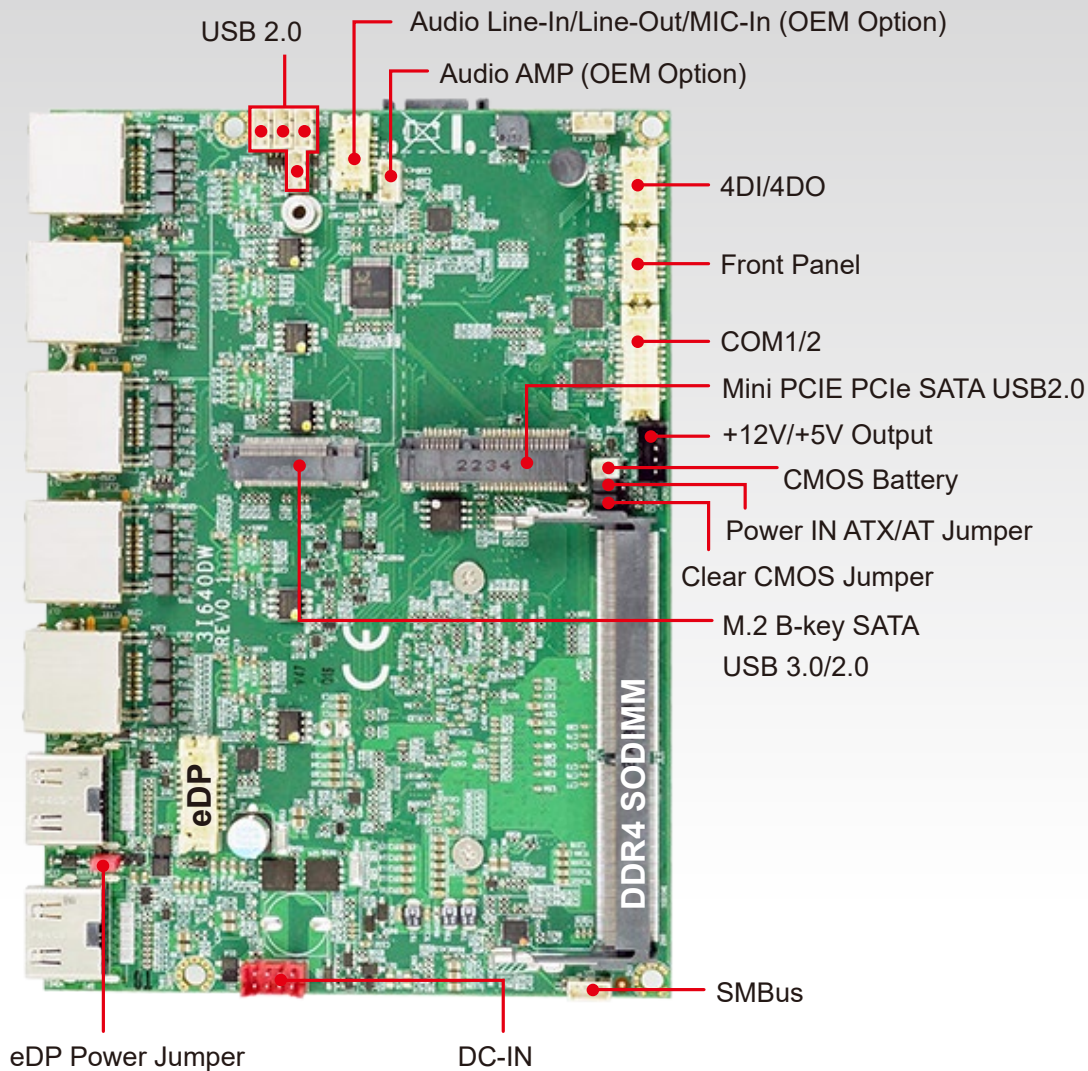


31640DW

Maximizing performance 3.5" SBC with Intel® Atom™ (Elkhart Lake) 6000 series processor

LEX System 3.5" (146 x 102 mm) SBC: 31640DW is with Intel Atom® x6000E Series and Celeron® J (formerly Elkhart Lake) Series processors. 31640DW integrated 5 x 2.5 GbE LAN, 8 x USB, 2 x COM Port , 2 x HDMI (or DP) display interface and 1 x Mini PCIe, 1 x M.2 expansion slot offers the ideal platform for graphics performance with integrated AIoT features, real-time performance, manageability, and security. 31640DW with excellent processor performance, multiple Giga Ethernet ports and wide range 9-36V DC-IN features is the ideal solution for AI accelerators platform and advanced Edge AI, Intelligent Control, Factory Automation Industry 4.0, Internet of Things (IoT) and Edge Computing applications.

Function Map

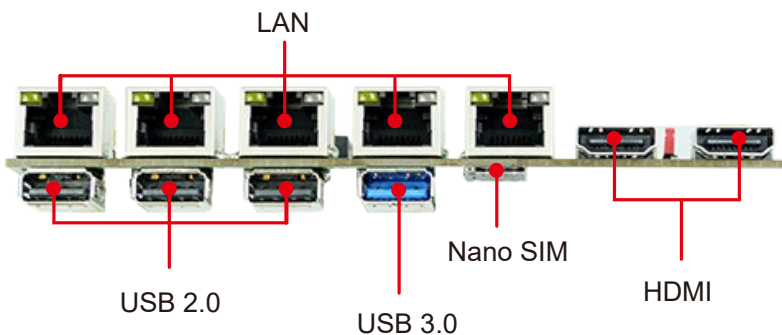


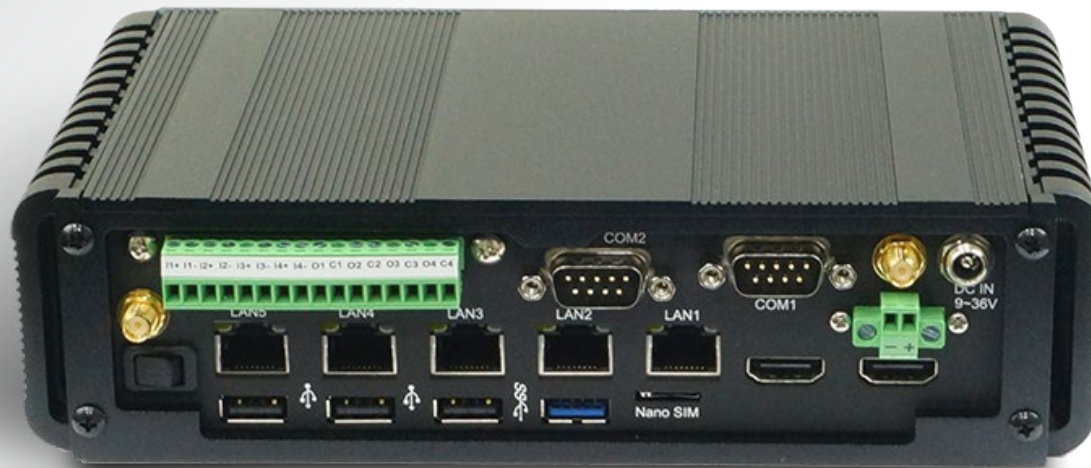
3I640DW

3I640DW –ideal solution for Automation/Edge Gateway Applications

- Intel® Elkhart Lake ATOM® x6413E / J6412 CPU
- 1 x DDR4 SODIMM, Max. 32GB
- Independent display: 2 x HDMI, eDP
- 5 x Intel 2.5 GbE LAN, 1 x USB 3.0, 7 x USB 2.0
- 2 x COM, 1 x Mini PCIe, 1 x M.2, 1 x Nano SIM
- 4DI / 4DO, TPM 2.0 (Firmware) –OEM to Hardware TPM 2.0
- Wide Range DC IN +9~36V
- Wide temperature support of -20°C ~ 70°C

[Data Sheet](#)





TWITTER

Dimension: 210W x 121D x 55H mm

- Compact & Excellent Fanless Embedded System

About LEX Computech

Established in 1990, LEX Computech is an industrial computer manufacturer, provides LEX SYSTEM embedded solutions include designing and manufacturing of industrial motherboards, fanless embedded systems, rugged panel PC, in-vehicle fanless PC, network appliances, machine vision and automation controllers & IoT related solutions.

LEX SYSTEM's R&D team consisted with electronics, layout, system, mechanical, BIOS, firmware as well as software engineers, plus with experienced project management, in-house manufacturing and after sales service provides ODM /OEM customized products for various application-oriented projects.

Taiwan Headquarters LEX Computech Co. Ltd

Tel: 886 2 2228-1055
Fax: 886 2 2228-1056
Email:
lex.sales@lex.com.tw
www.lex.com.tw

Europe Branch Office LEXCOM B.V.

Tel: 31 73 687-2390
Fax: 31 73 687-2398
Email:
info@lex.com.tw
www.lex.com.tw

China Sales representative LEX Computech Co. Ltd

Tel: 86 29 8623-9340 Fax: 86 29 8623-9340
Peter
手机: 18500172031 or 13823511963
E-mail: peter@lex.com.tw
Robin
手机: 15829309561 or 13379296808 同微信号
E-mail: robin@lex.com.tw