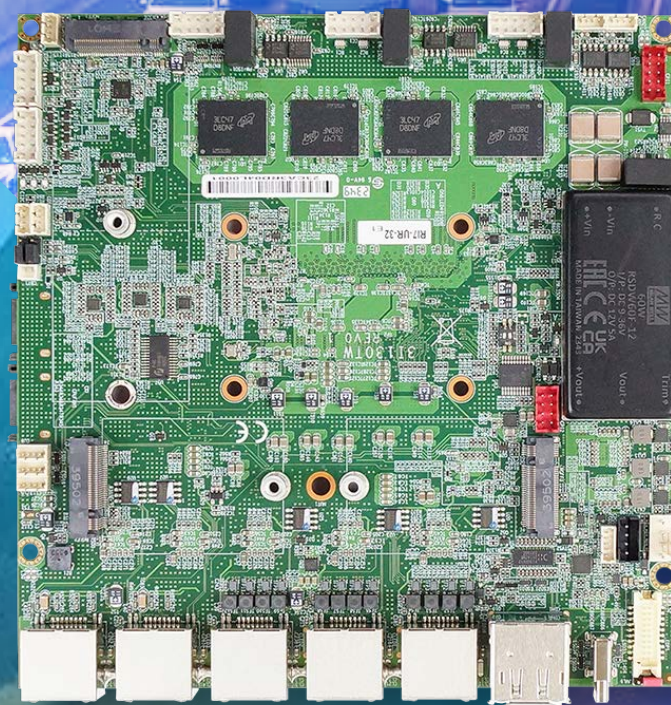


LEX SYSTEM Powerful in-vehicle solution

3I130TW

- 3.5" Plus SBC with 13th Gen. Intel®
Raptor Lake Processor



Lex SYSTEM®

www.lex.com.tw

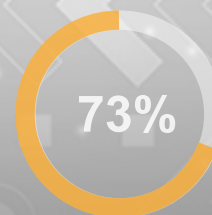


3I130TW

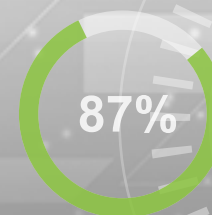
LEX SYSTEM Powerful in-vehicle solution 3I130TW

- 3.5" Plus SBC with 13th Gen. Intel® Raptor Lake Processor

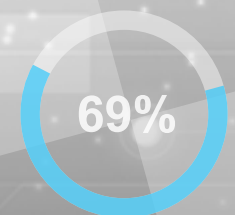
LEX System 3I130TW is based on Intel® 13th Raptor Lake-U Core i processor, integrated 5 x 2.5 GbE, 7 x USB , 2 x ISO-COM Port , 2 x ISO-CANBus , HD Audio, DI/ DO, HDMI,DP & Type C DP ALT mode display interface, plus with 3 x M.2 and 1 x Nano SIM expansion , BRIK-ISO wide range 9~+36V DC input (optional to 18-75V/ SIP 20~53V) and Power ignition delay on/ off control which could protect computing systems from damage causing by unexpected voltage and current and makes sure it operates normally. 3I130TW supports onboard LPDDR5 16GB/ 32GB memory , onboard 256/ 512GB NVME and could expand, M12 I/O ,PoE and comprehensive storage options including 2 x SATA and one M.2-SSD make it the ideal for in-vehicle NVR applications.



North Area
Data collection

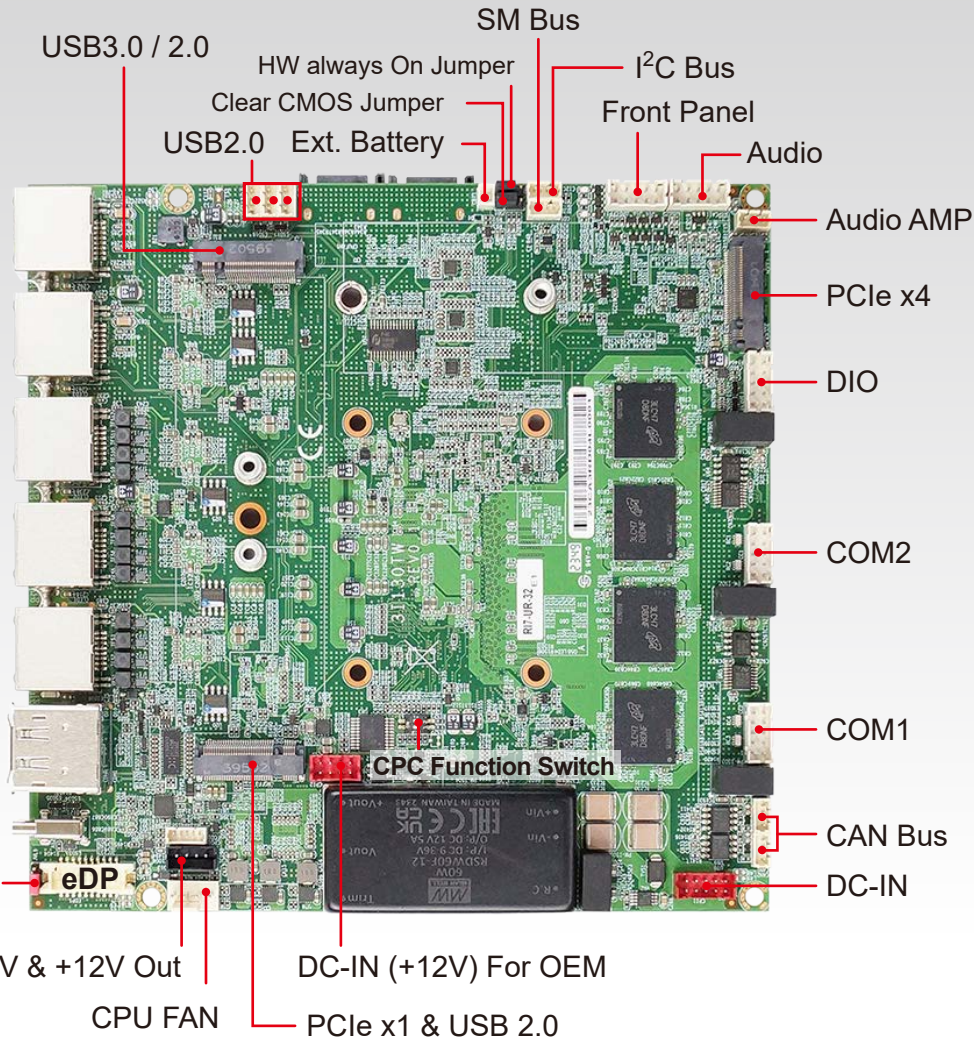


Central Area
Data collection



South Area
Data collection

Function Map

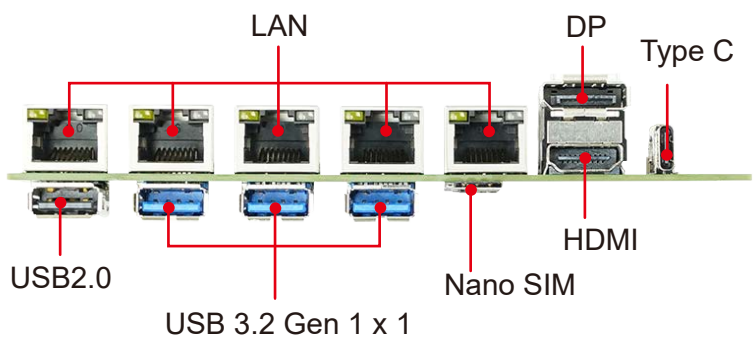


3I130TW

3I130TW – Powerful in-vehicle solution
for transportation/railway embedded Applications

- Intel® 13th Gen Raptor Lake-U i7 / i5 / i3, Pentium CPU
- Onboard LPDDR5, 16GB / 32GB
- Multiple Independent display :
1 x HDMI, 1 x DP, eDP, 1 x Type C DP ALT Mode
- 5 x Intel 2.5 GbE LAN, 3 x USB 3.2, 4 x USB 2.0,
- 1 x M.2 M Key, 2 x M.2 BKey, 1 x Nano SIM
- HD Audio, 2 x ISO COM, 2 x ISO CANBus, 4DI / 4DO,
- TPM 2.0, SMBus, I2C
- Wide Range DC-IN, CPC-Ignition on/off control

[Data Sheet](#)



HAWK 3I130TW

(with Anti-vibration kit)



HAWK 3I130TW supports onboard LPDDR5 16GB/32GB memory , onboard NVME and could expand, M12 I/O ,PoE, optional anti-vibration kit and features comprehensive storage options including two 2.5" mobile rack Bays also make it the ideal for in-vehicle / Railway applications.

Dimension : 220W x 180D x 80H mm

- Rugged heat-dissipating In-vehicle System
- Robust & Powerful Fanless Embedded solution

Lex SYSTEM[®]

www.lex.com.tw

About LEX Computech

Established in 1990, LEX Computech is an industrial computer manufacturer, provides LEX SYSTEM embedded solutions include designing and manufacturing of industrial motherboards, fanless embedded systems, rugged panel PC, in-vehicle fanless PC, network appliances, machine vision and automation controllers & IoT related solutions.

LEX SYSTEM's R&D team consisted with electronics, layout, system, mechanical, BIOS, firmware as well as software engineers, plus with experienced project management, in-house manufacturing and after sales service provides ODM /OEM customized products for various application-oriented projects.

Taiwan Headquarters LEX Computech Co. Ltd

Tel: 886 2 2228-1055
Fax: 886 2 2228-1056
Email:
lex.sales@lex.com.tw
www.lex.com.tw

Europe Branch Office LEXCOM B.V.

Tel: 31 73 687-2390
Fax: 31 73 687-2398
Email:
info@lex.com.tw
www.lex.com.tw

CHINA Distributor

Tel: 18500172031 or 13823511963
E-mail: peter@lex.com.tw

Tel:15829309561
Tel:13379296808 同微信号
E-mail: robin@lex.com.tw