

Battery Charger function & Flexible IO expansion with small size Intel® Bay Trail Platform

Battery Charger Function



2I385BW Series

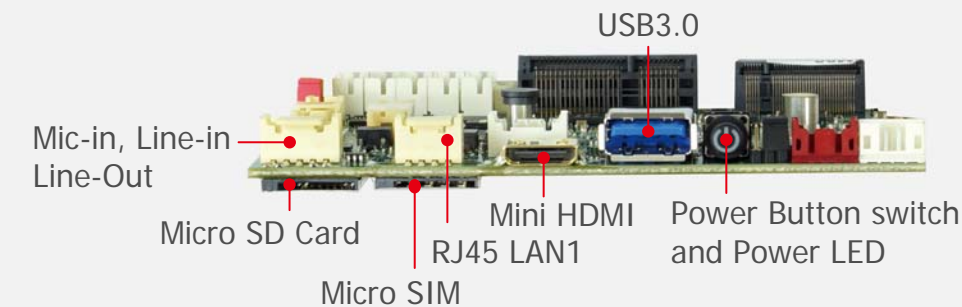
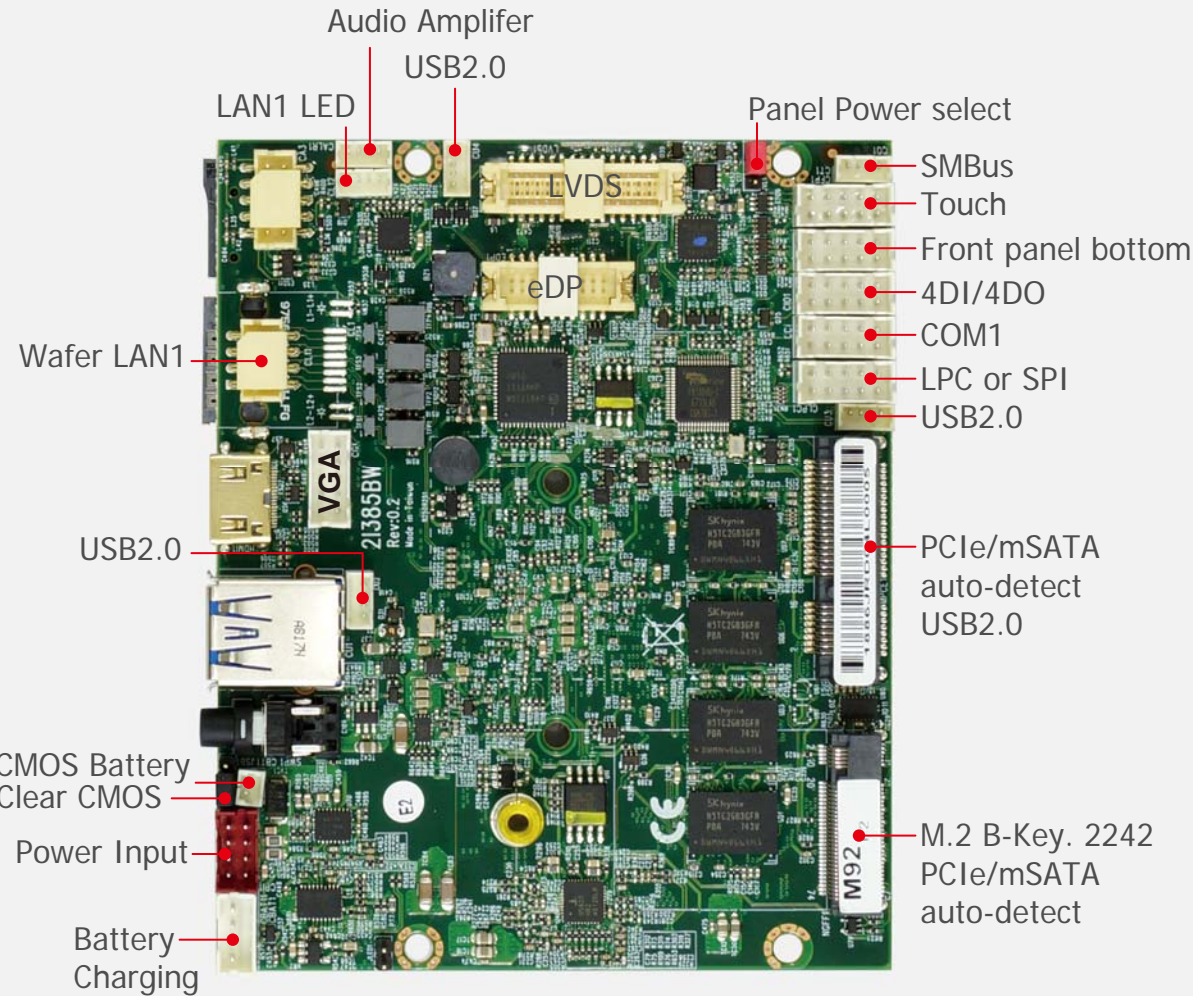


Battery Charger Function

Battery Charger function & Flexible IO expansion with small size Intel® Bay Trail Platform

LEX launches 21385BW SBC with Intel® Bay Trail SoC processor to give users fast, convenient and simplified solutions for industrial and embedded applications. The battery charger feature makes this platform well suited for many reliability and mobility constrained embedded applications, such as Automation Control, Transportation, ATM machines, medical / hospital station and warehouse solution.

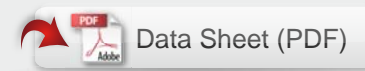
Function MAP



21385BW

Highly mobility solution for Industry 4.0 Applications

- Intel® Bay Trail E3825 / E3845 CPU / chipset
- On Board DDR3L 2GB / 4GB
- Display Interface: Mini HDMI, VGA & LVDS or eDP
- 1 x Intel (I210 IT) GbE, 1 x Mini PCIe, 1 x Micro SIM, 1 x Micro SD
- 3 x USB (1 x USB 3.0/2.0 + 2 x USB 2.0), HD Audio, 1 x COM (RS232/422/485)
- 4DI/4DO, 1 x M.2 B Key
- Battery Charger function
- Wide Range +12~36V (Typical 12V / 24V)
- Wide temperature support of -20°C ~ 70°C





Waterproof solution with Intel® Bay Trail E3825/E3845 Platform

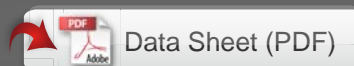
IP67 waterproof solution is equipped with ultra compact 21385BW with excellent heat-dissipating function and fanless design, which is capable of supporting waterproof connectors (M12 type) with function of VGA, USB, Serial Port and LAN.

The Lex SYSTEM logo is located in the top left corner of the device's front panel. It consists of the word "Lex" in a white, italicized font on a purple rectangular background, followed by the word "SYSTEM" in a white, bold, sans-serif font on a yellow rectangular background.

Box PC

Dimension: 250W x 168D x 40H

- Compact size Fanless Solution
- IP67 waterproof solution



Data Sheet (PDF)

The Lex SYSTEM logo is located in the bottom right corner of the slide. It consists of the word "Lex" in a white, italicized font on a purple rectangular background, followed by the word "SYSTEM" in a white, bold, sans-serif font on a yellow rectangular background. A registered trademark symbol (®) is positioned to the right of the logo.



SHARK / STAR IP67 Waterproof Solution

- Touch Screen panel
- Bezel free mechanical design