

In-Vehicle NVR w/
4 x RJ45/M12 PoE
power by

**Intel® 6th/7th Gen
Skylake/Kabylake U
Processor**



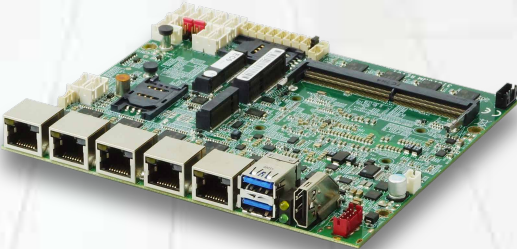
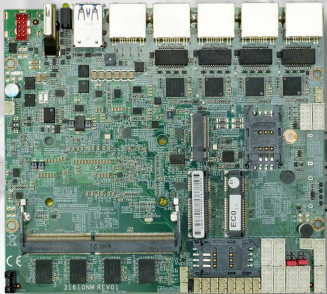
3I610NM Series

Lex SYSTEM®



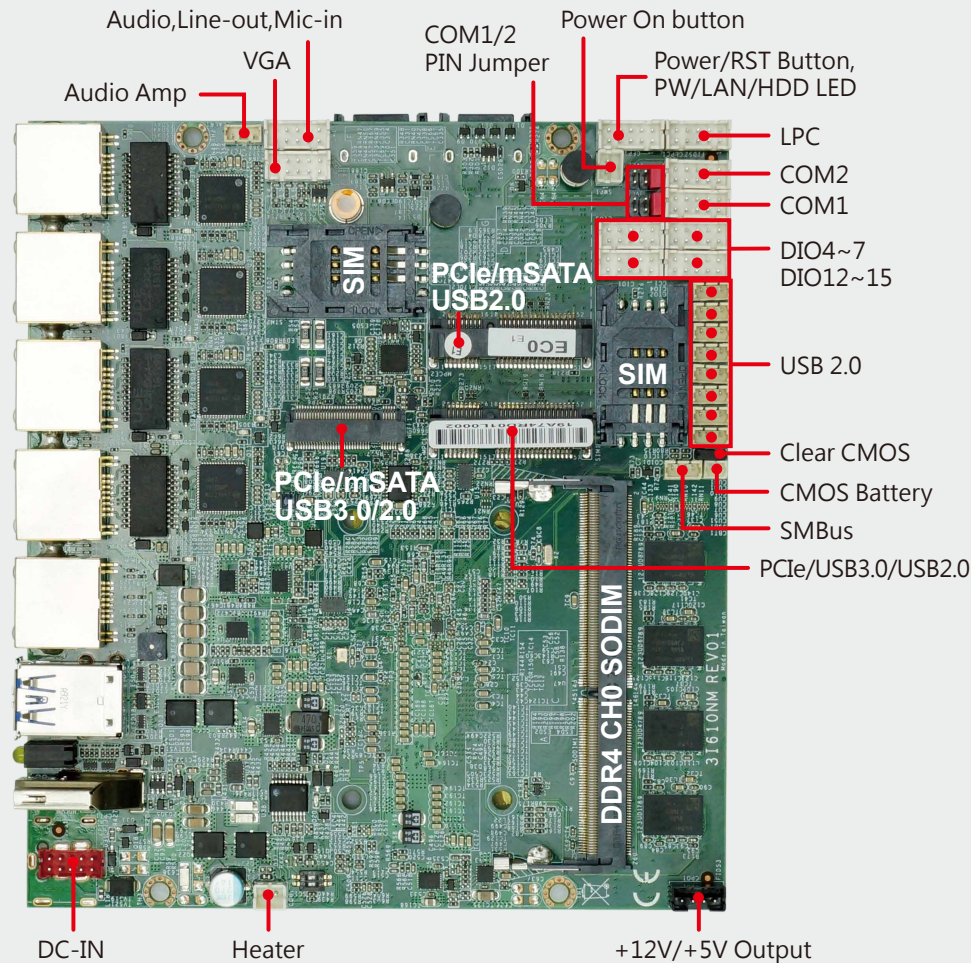
3I610NM

In-Vehicle NVR w/ 4 x RJ45/M12 PoE power by Intel® 6th/7th Gen Skylake/Kabylake U Processor



LEX System 3I610NM is based on Intel® 6th/7th Skylake / Kabylake U processor, integrated 4 x RJ45/M12 PoE, 7 x USB , 2 x COM Port , VGA, HDMI display interface, wide range 9~ +48V input plus with ignition delay on/off control which could protect computing systems from damage causing by unexpected voltage and current and makes sure it operates normally. 3I610NM supports onboard memory and could expand extra memory via SODIMM, M12 PoE I/O and features comprehensive storage options including two 2.5" mobile rack Bays also make it the ideal for in-vehicle NVR applications.

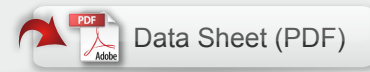
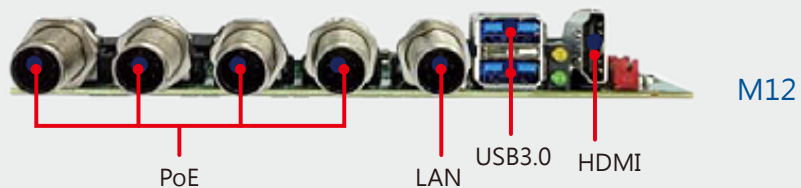
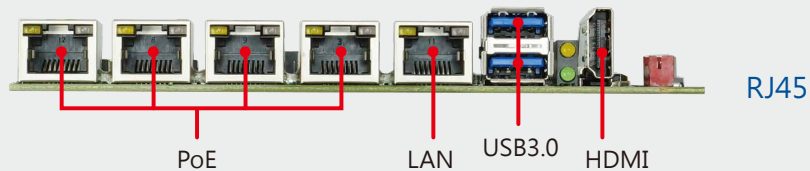
Function MAP



3I610NM

3I610NM –ideal solution for in-Vehicle NVR application

- 6th /7th Gen Intel® Skylake/ KabyLake U, i7 / i5 / i3 / Celeron CPU
- On board DDR4 8GB/16GB , expand extra 16GB (max) via SODIMM
- Multiple Independent display: VGA & HDMI
- 4 x RJ45/M12 PoE, 1 x Intel GbE LAN, 2 x USB 3.0, 5 x USB 2.0,
- 2 x COM, 16DI/16DO, 2 x SIM
- 1 x Full size Mini PCIe (PCIe/USB 3.0/USB2.0)
- 1 x Half size Mini PCIe (PCIe/ mSATA/USB)
- 4G/5G LTE expand by M.2 (PCIex2/mSATA/USB2.0/USB3.0)
- NVME M.2
- Wide Range 9~48V DC Input with ignition delay on/off control
- TPM 2.0 (Optional)
- Operation Temperature : -20°C~70°C
- E-Mark /EN50155 Certified





SKY 3 + 3I610NM

SKY 3

Dimension: 183W x 142.2D x 83.9H

- Excellent heat-dissipating DIN-Rail System
- Robust & Powerful Fanless Embedded solution

 Data Sheet (PDF)



M12



RJ45



TASK (L) + 3I610NM

TASK (L)

Dimension: 210W x 200D x 77H

- Robust Excellent heat-dissipating System
- Anti-Vibration kit (Option)

