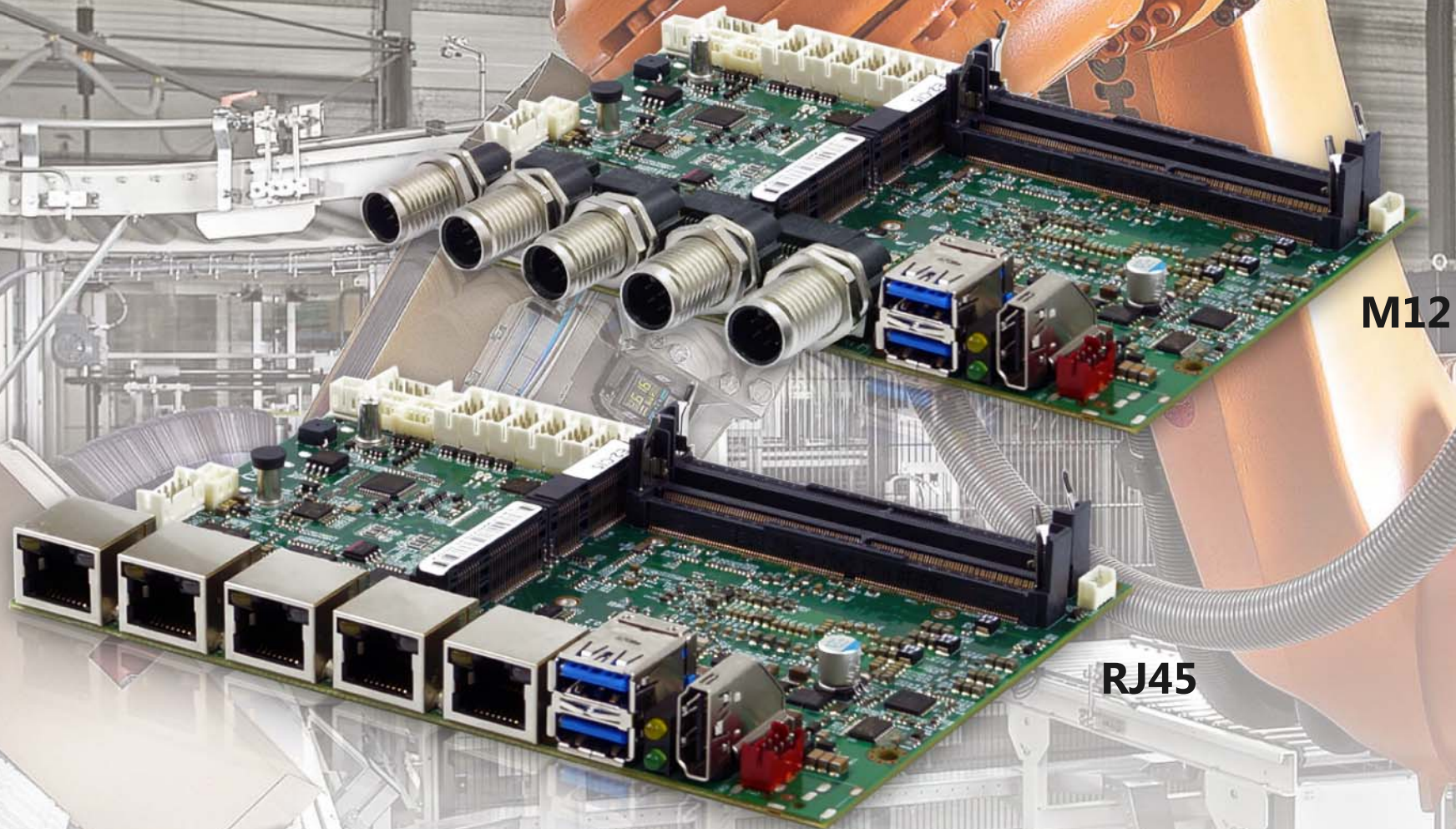


4 x PoE all in one 3.5" Single Board Computers with Intel® 6th/7th Gen Processor



3I610NX Series

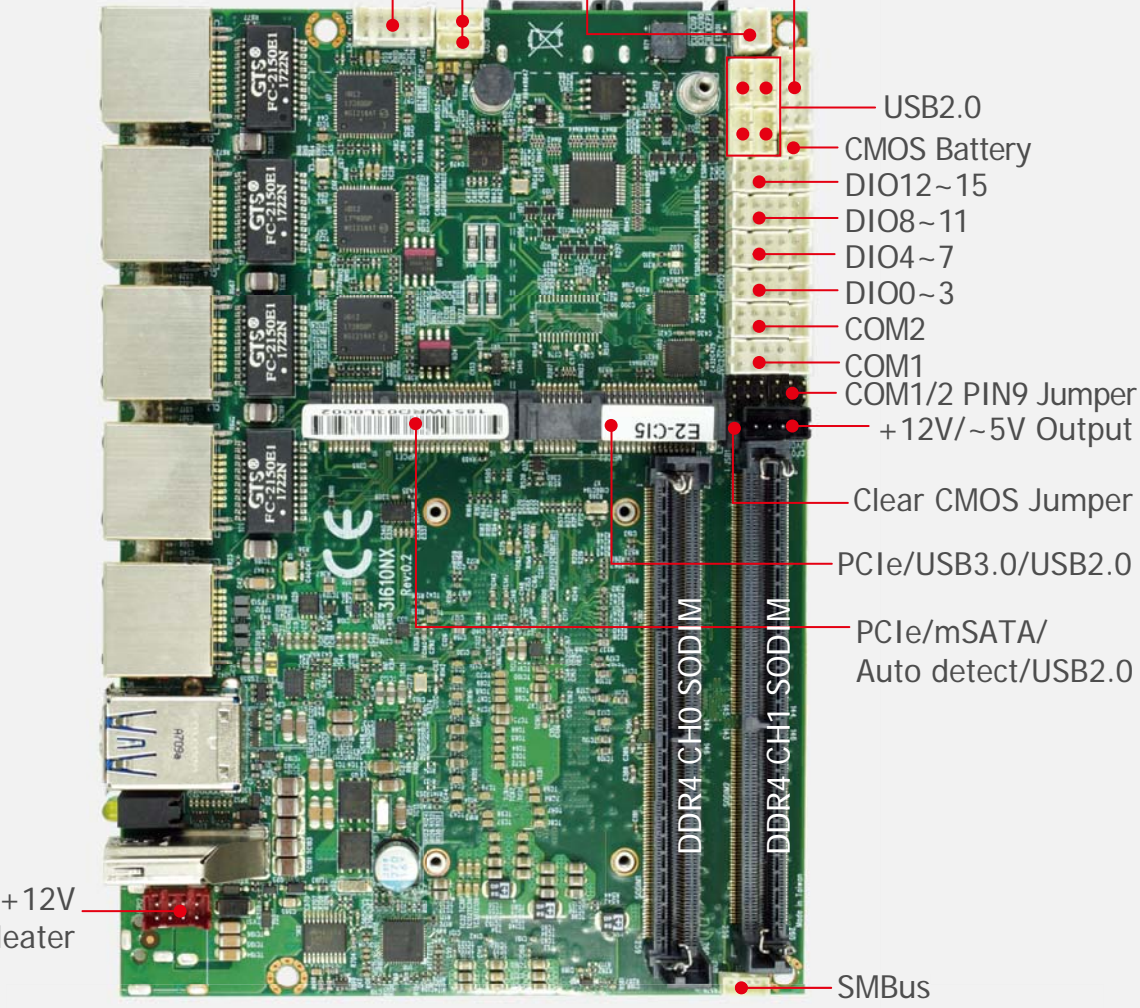
Lex SYSTEM®

A close-up photograph of a green 3.5-inch single board computer (SBC) populated with various components. The board features four RJ45 ports (PoE), two USB 3.0 ports, two COM ports, and a VGA port. It is also equipped with several BNC connectors and a power input connector. The board is mounted on a metal chassis, and blue cables are visible in the background.

4 x PoE all in one 3.5" Single Board Computers with **Intel® 6th/7th Gen Processor**

LEX Computech released of the next generation 3.5" motherboard with wide range 9~36V DC power input: 3I610NX is based on Intel® 6th/7th Skylake-U/ Kaby Lake-U processor, integrated 5 x Gb E(4 x PoE), 8 x USB , 2 x COM Port & VGA, HDMI display interface that offers the ideal platform for high performance applications in surveillance, networking, automation, military & machine vision applications.

Function MAP

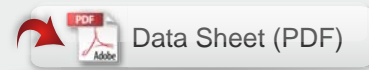
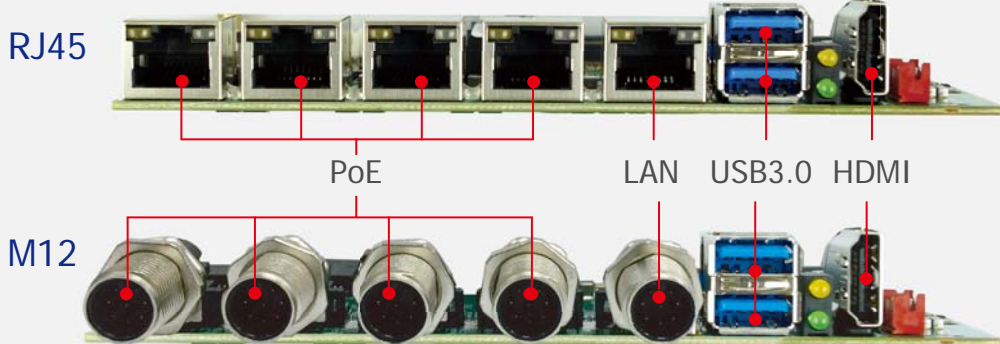


3i610NX

Integrated PoE IP and Networking Applications

- Intel® Skylake-U / Kaby Lake-U i7 / i5 / i3 / Celeron CPU / chipset
- 2 x DDR4 2133 Mhz SODIMM, Max up to 32 GB
- Display Interface: HDMI & VGA
- 5 x Intel GbE LAN (4 x PoE)
- 8 x USB (2 x USB 3.0 + 6 x USB 2.0) , SIM socket, 2 x Mini PCIe
- 2 x COM (RS232/422/485), 16 x DI / 16 x DO
- Wide Range DC IN +9~36V
- Wide temperature support of -20°C ~ 60°C
- Support 4K UHD resolution content

Real I/O





TASK

Dimension: 77H x 210W x 125D mm

- Super Excellent heat-dissipating System
- Robust & Powerful Fanless Embedded solution

