



Flexible IO expansion &  
Battery Charger function  
3.5" SBC with 8th Intel®

# Whiskey Lake-U SoC Processor



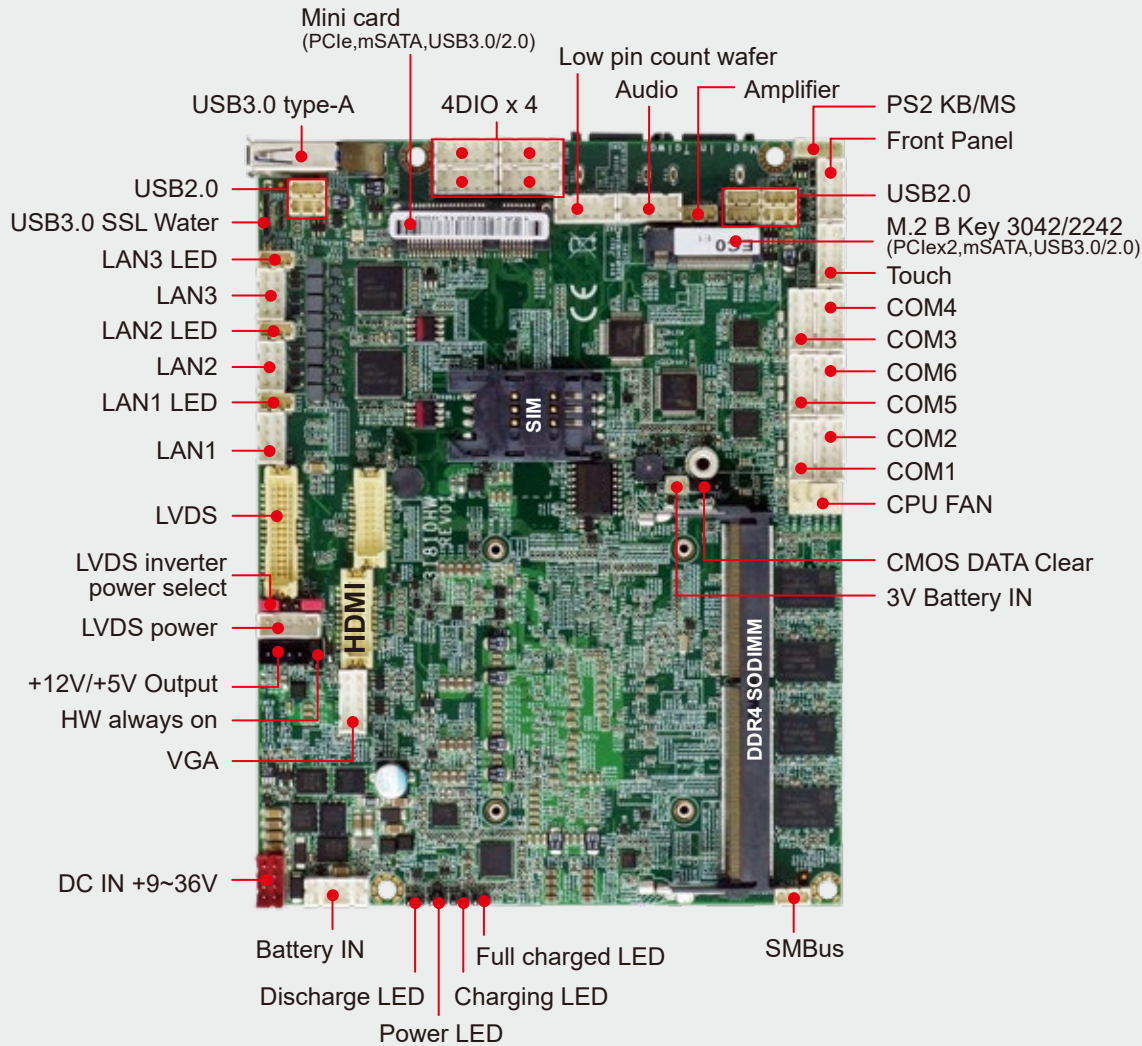
3I810HW/BW Series



## 31810HW/BW

### Flexible IO expansion & Battery Charger function 3.5" SBC with 8th Intel® Whiskey Lake-U SoC Processor

LEX SYSTEM latest 3.5" SBC 31810HW/BW is with 8th Gen. Intel® Whiskey Lake-U i7/i5/i3/Celeron/Pentium processor which offers users powerful and flexible solution for industrial and embedded applications. The battery charger feature makes this platform well suited for reliability and mobility constrained embedded applications, such as Automation Control, Transportation, ATM machines, medical / hospital station and warehouse solution.



## 3I810HW/BW

### 3I810HW/BW –highly mobility solution for Industry 4.0 Applications

- 8th Gen Intel® Whiskey Lake-U, i7 / i5 / i3 / Pentium / Celeron CPU
- On board 8GB DDR4 + 1 x DDR4 SODIMM (Max.32GB)
- Multiple Independent display: VGA, HDMI, LVDS
- 3 x Intel GbE i219LM/i210IT LAN,3 x USB 3.0, 4 x USB 2.0,
- 6 x COM RS232/422/485, Touch Screen,16DI/16DO,
- 1 x Mini PCIe (PCIe / mSATA / USB 2.0/3.0)
- 1 x SIM, 1 x M.2 ( mSATA/USB/PCIe )
- TPM 2.0 (Optional)
- Wide Range DC IN +9~36V , Battery Charger Function
- Operation Temp. : -20°C~ + 70°C





## Waterproof solution with 8th Gen Intel® Whiskey Lake-U, i7 / i5 / i3 / Pentium / Celeron Platform

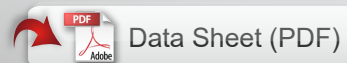
LEX SYSTEM IP67 Embedded Systems and Panel PC series are with the 8th Gen Intel® Core™ i7/i5/i3 U-series (Whiskey Lake) platform which offering IP67 rating protection with waterproof and dust-resilience capability, -20°C to 60°C extended operating temperature, 9V to 36V DC input, battery charger function and multiple M12 waterproof connectors in slim, fanless & rugged design.



## SHARK IP67 Box PC

Dimension: 250W x 168D x 40H

- Compact size Fanless Solution
- IP67 waterproof solution





SHARK



STAR



STAINLESS

## Waterproof Bezel Free Panel PC

SHARK/ STAR/STAINLESS IP67 Waterproof Solution

- Touch Screen panel
- Bezel free mechanical design

